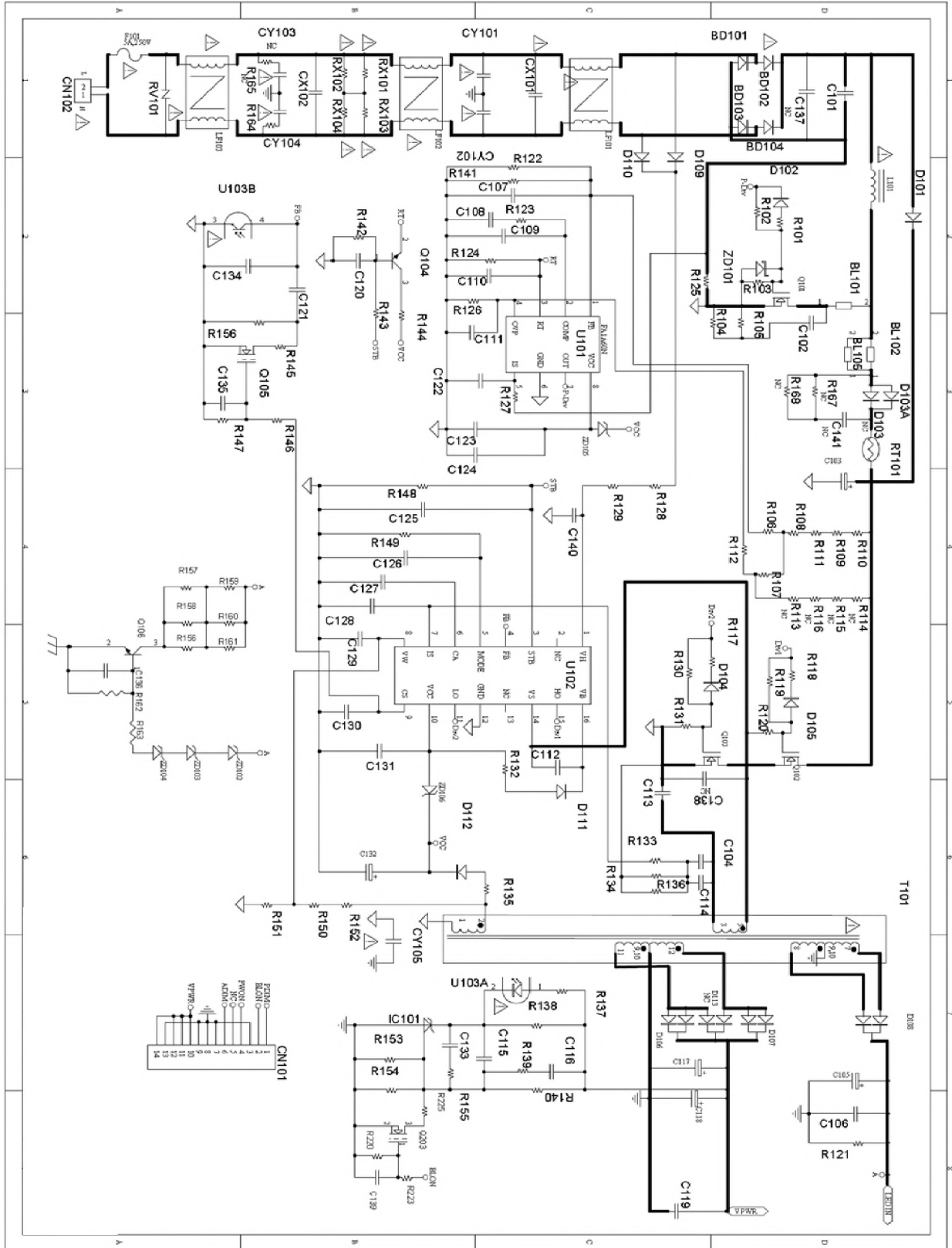
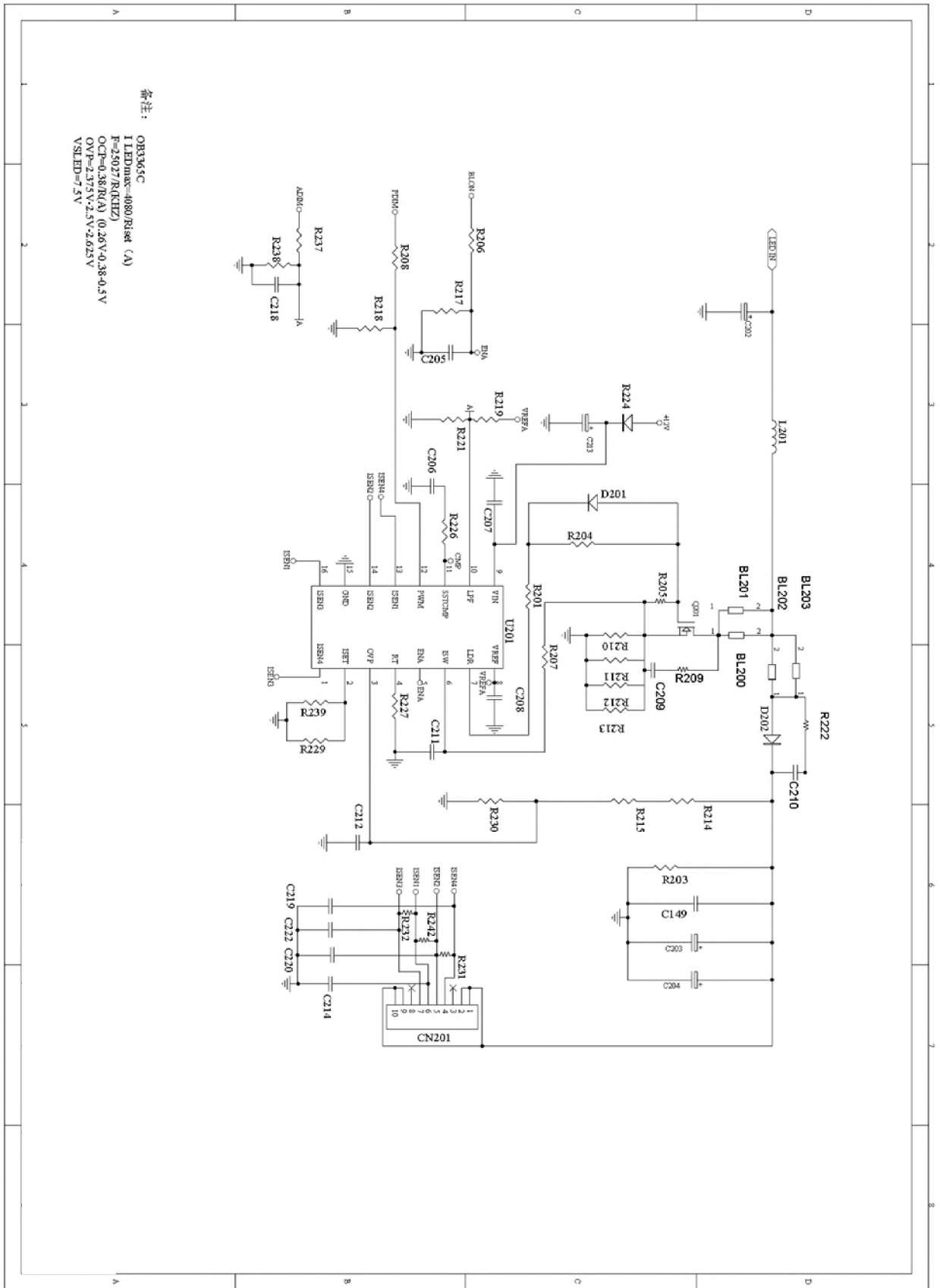


8 线路图 (CIRCUIT SCH)



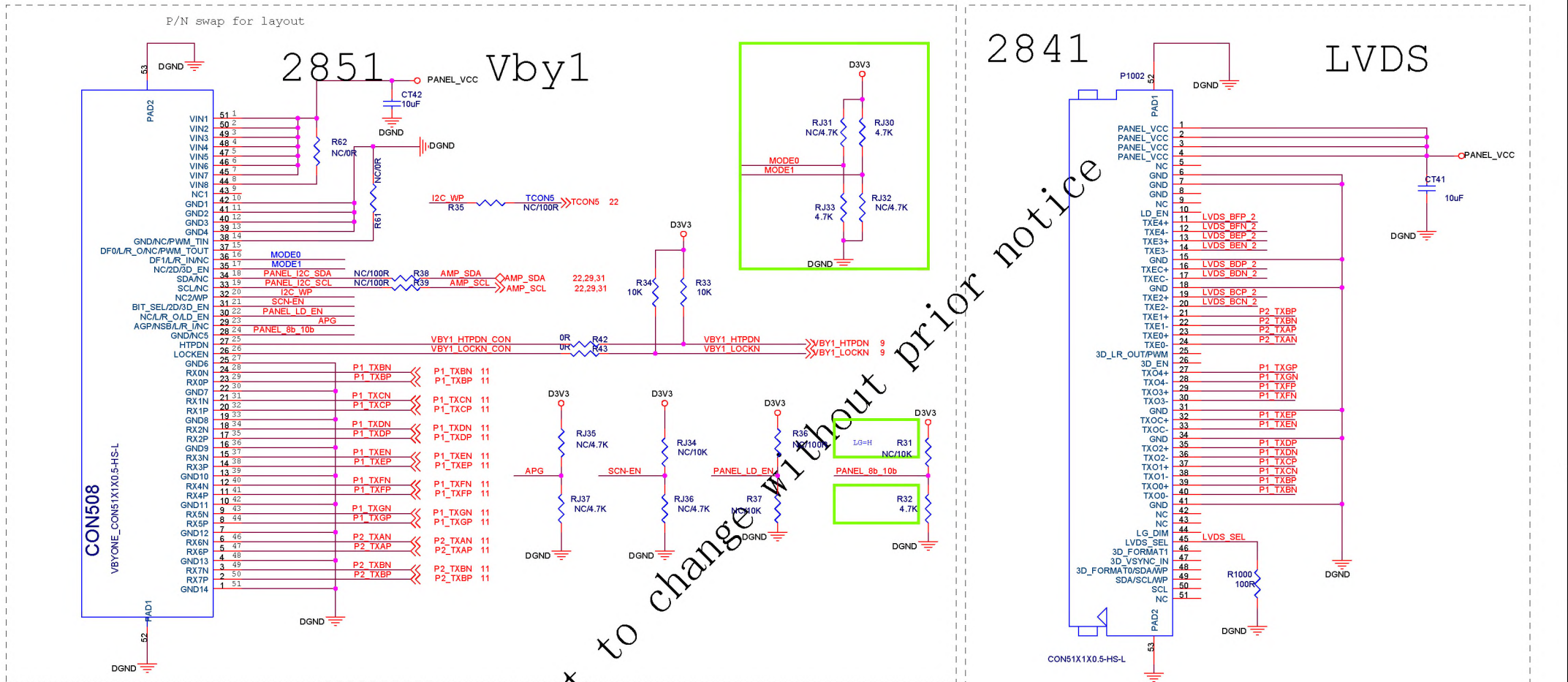
AC-DC 部分



备注：  
 OR3365C  
 I LEDmax=4080/RI41 (A)  
 F=250277R(KHZ)  
 OC=0.38R(A) 0.26V+0.38-0.5V  
 OVP=2.375V+2.5V+2.625V  
 VSLD=7.5V

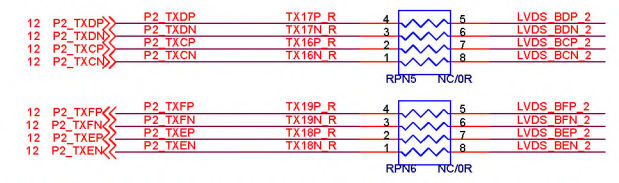
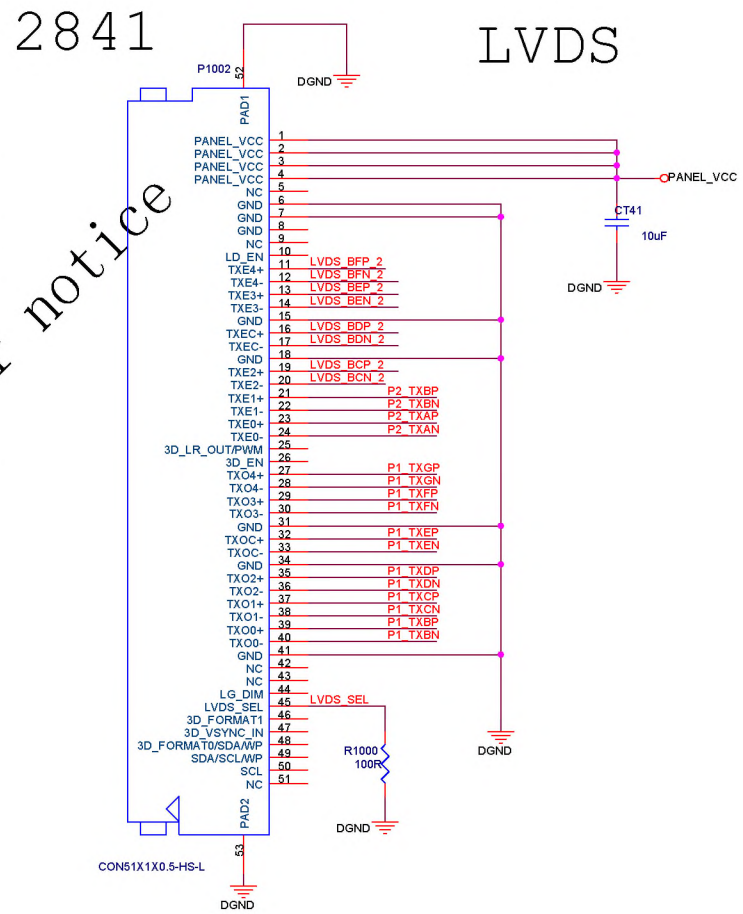
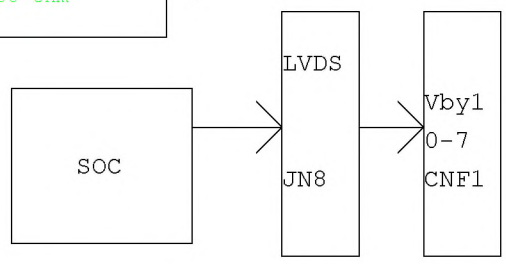
LED 驱动部分

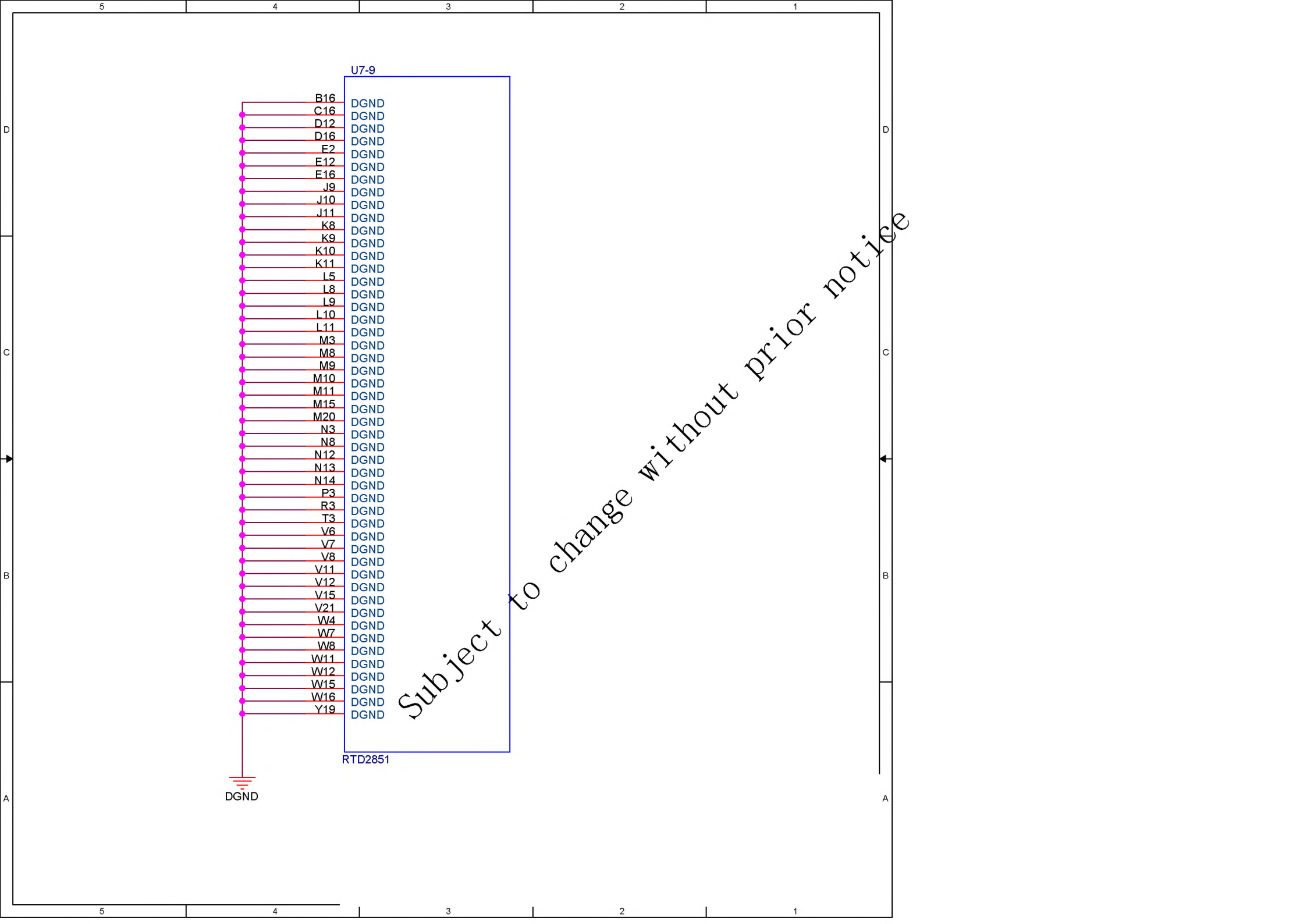
# 9. 原理图

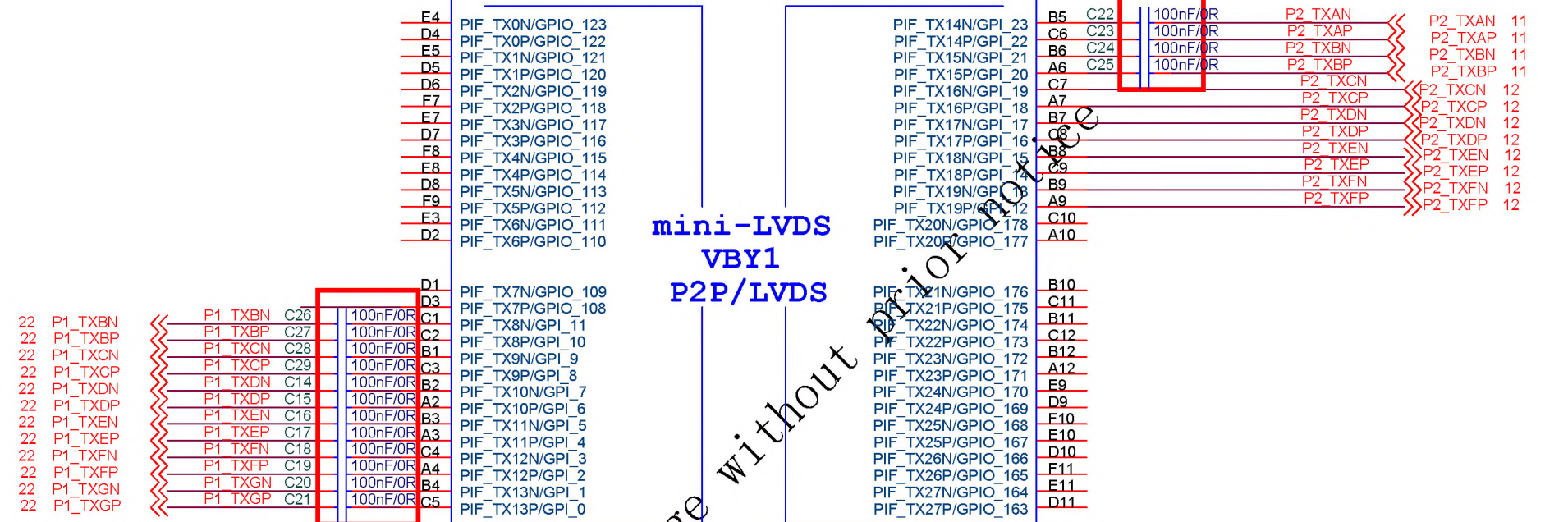


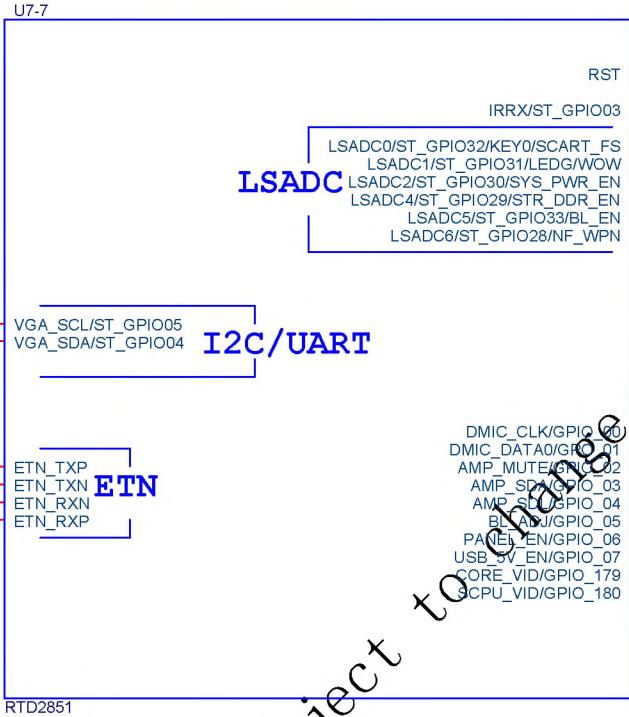
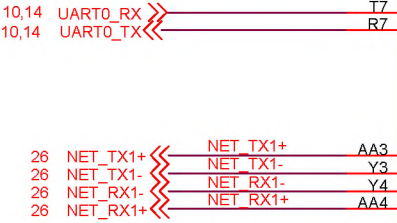
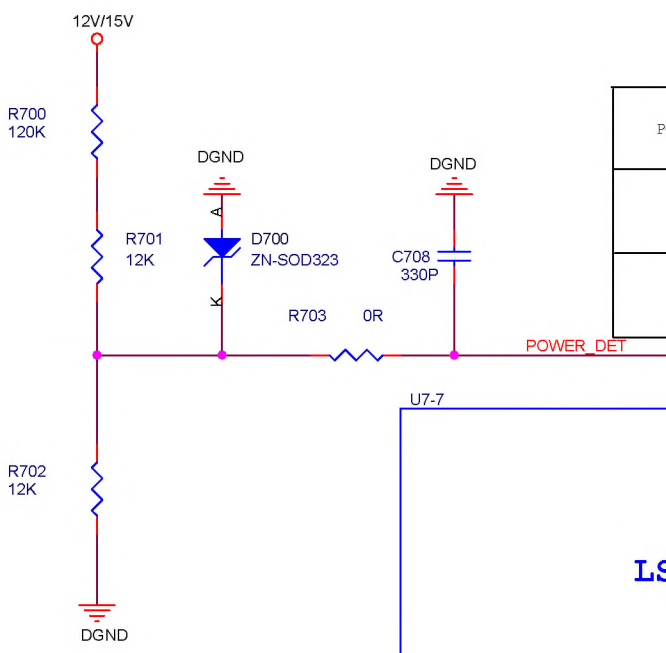
INX\_4K2K\_Vby1\_IN8903

3.75Gbps  
Zdiff=100 Ohm









**LSADC**  
 LSADC0/ST\_GPIO32/KEY0/SCART\_FS  
 LSADC1/ST\_GPIO31/LEDG/WOW  
 LSADC2/ST\_GPIO30/SYS\_PWR\_EN  
 LSADC4/ST\_GPIO29/STR\_DDR\_EN  
 LSADC5/ST\_GPIO33/BL\_EN  
 LSADC6/ST\_GPIO28/NF\_WPN

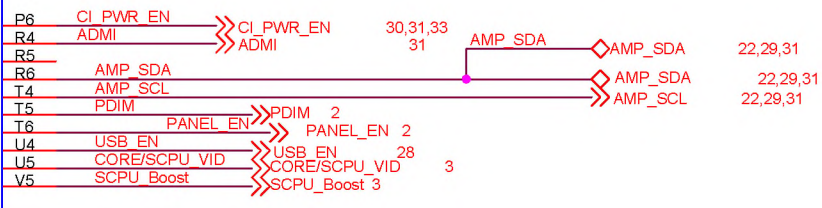
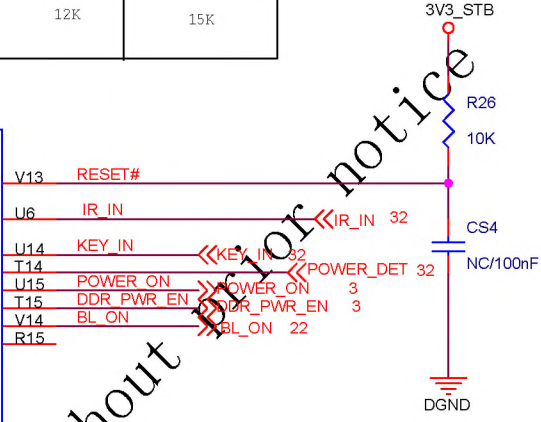
**I2C/UART**  
 VGA\_SCL/ST\_GPIO05  
 VGA\_SDA/ST\_GPIO04

**ETN**  
 ETN\_TXP  
 ETN\_TXN  
 ETN\_RXN  
 ETN\_RXP

DMIC\_CLK/GPIO\_06  
 DMIC\_DATA0/GPIO\_07  
 AMP\_MUTE/GPIO\_02  
 AMP\_SDA/GPIO\_03  
 AMP\_SCL/GPIO\_04  
 BL\_ANU/GPIO\_05  
 PANEL\_EN/GPIO\_06  
 USB\_VV\_EN/GPIO\_07  
 CORE\_VID/GPIO\_179  
 SCPU\_VID/GPIO\_180

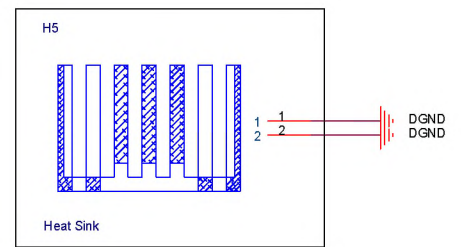
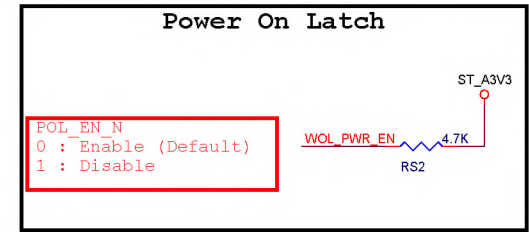
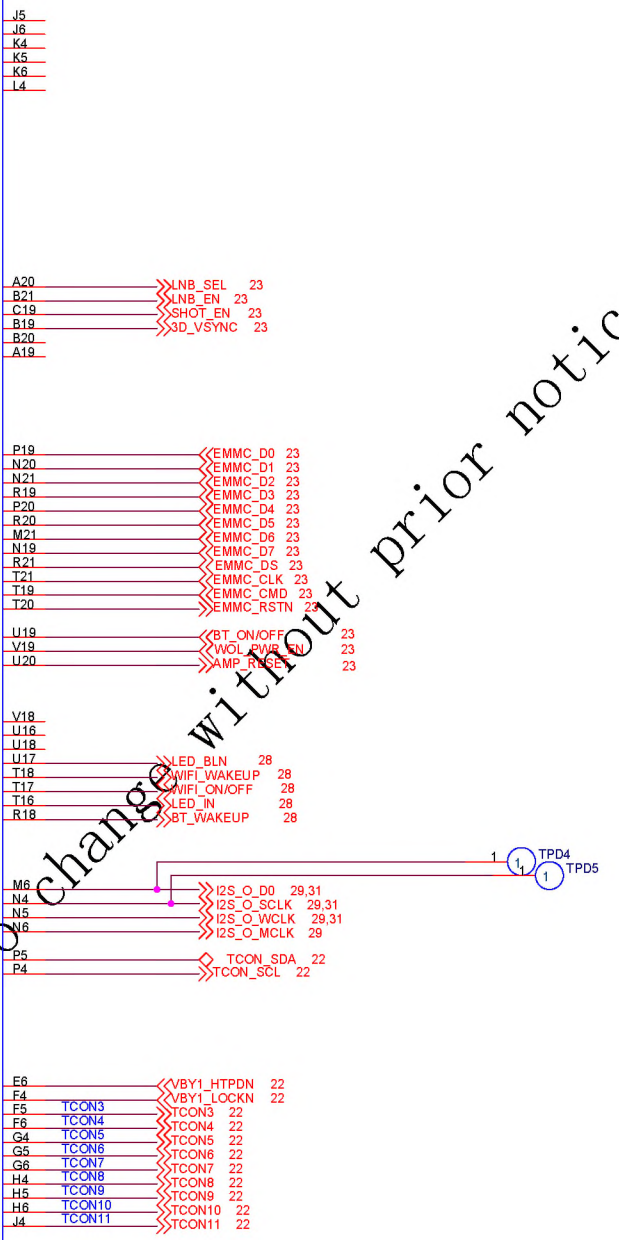
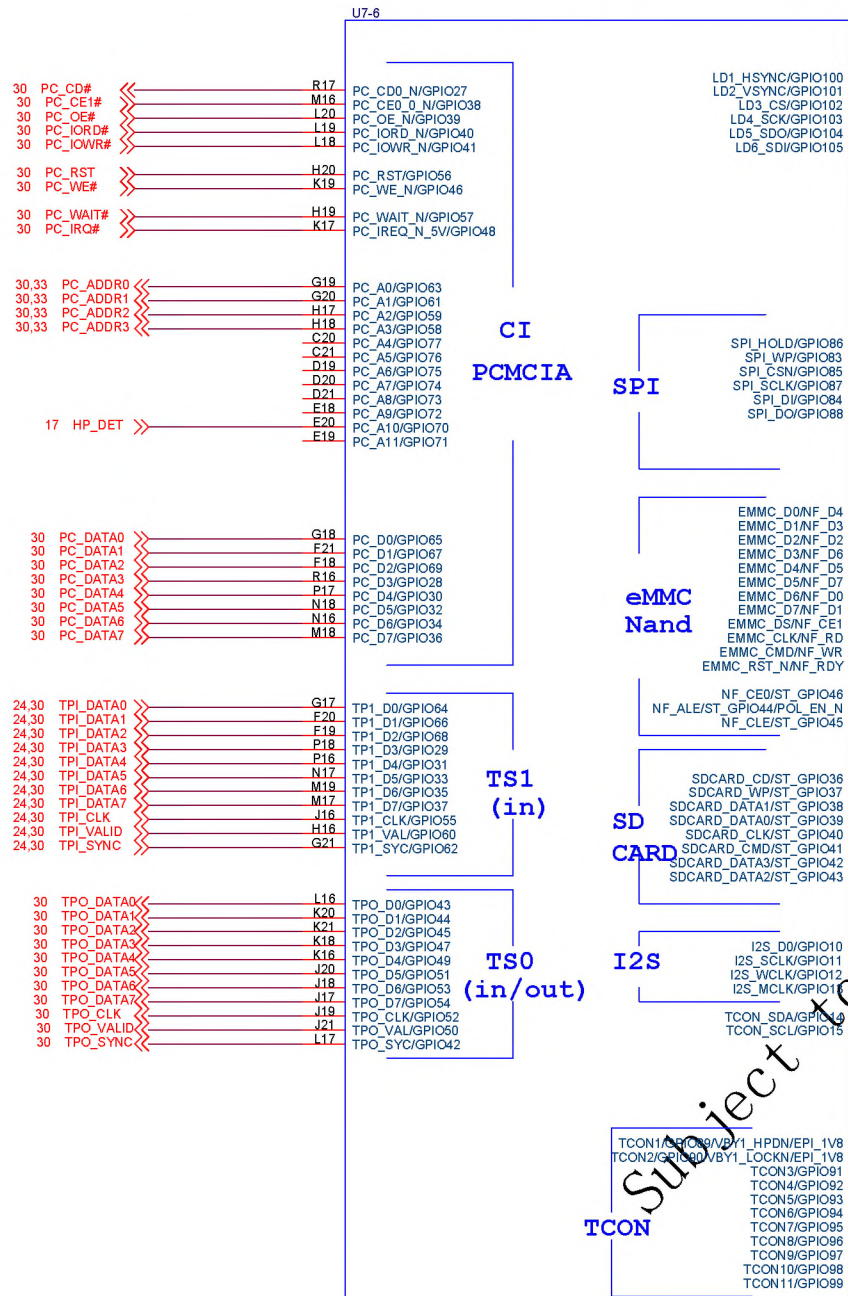
UART0\_RX >>> UART0\_RX 10,14  
 UART0\_TX >>> UART0\_TX 10,14

POWER INPUT	R700	R701	R702
12V	120K	12K	12K
15V	200K	12K	15K



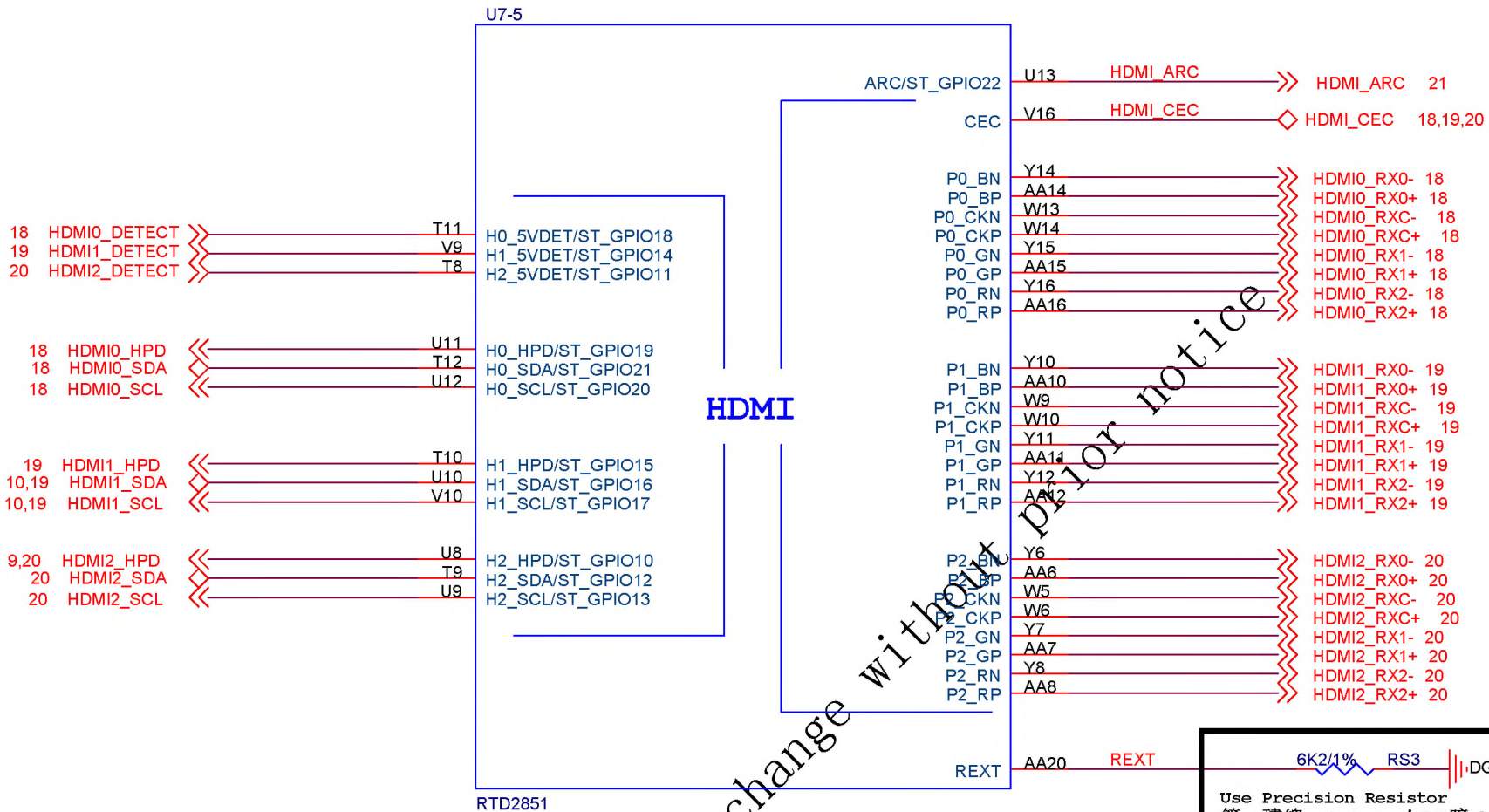
*without prior notice*

*Subject to change*



Subject to change without prior notice

RTD2851

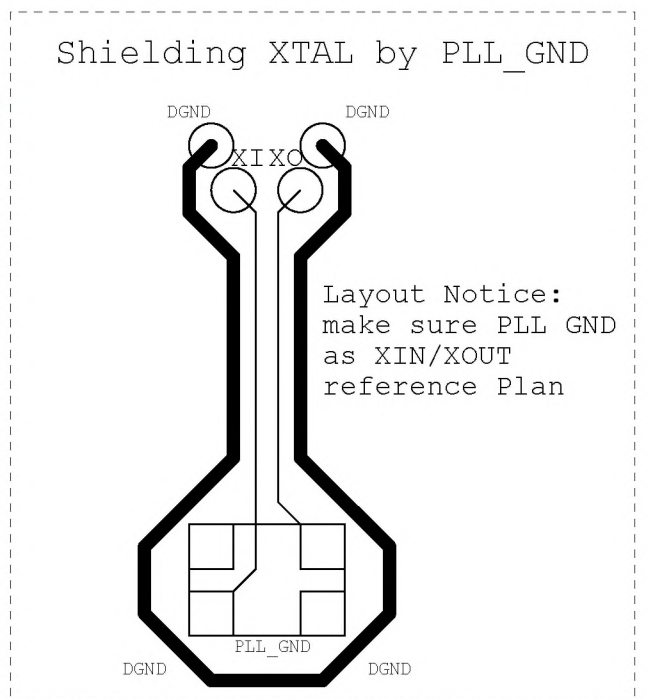
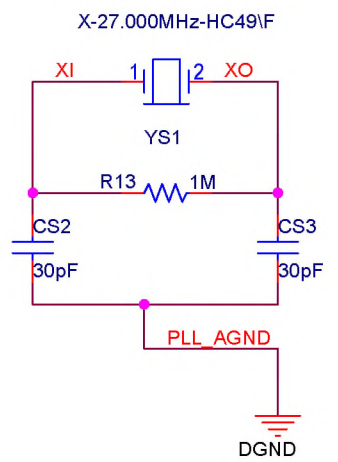
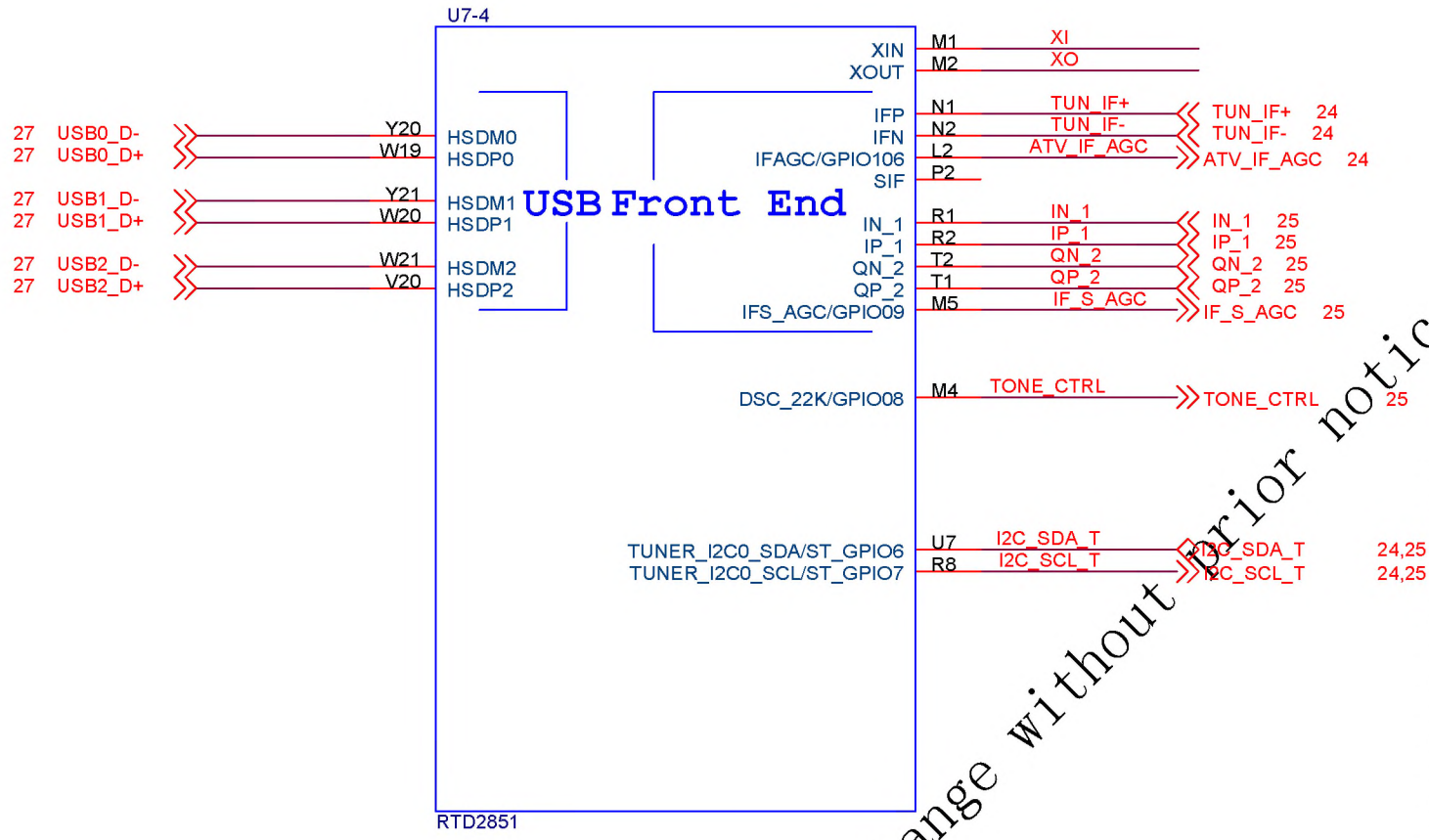


6K2/1% RS3 DGND

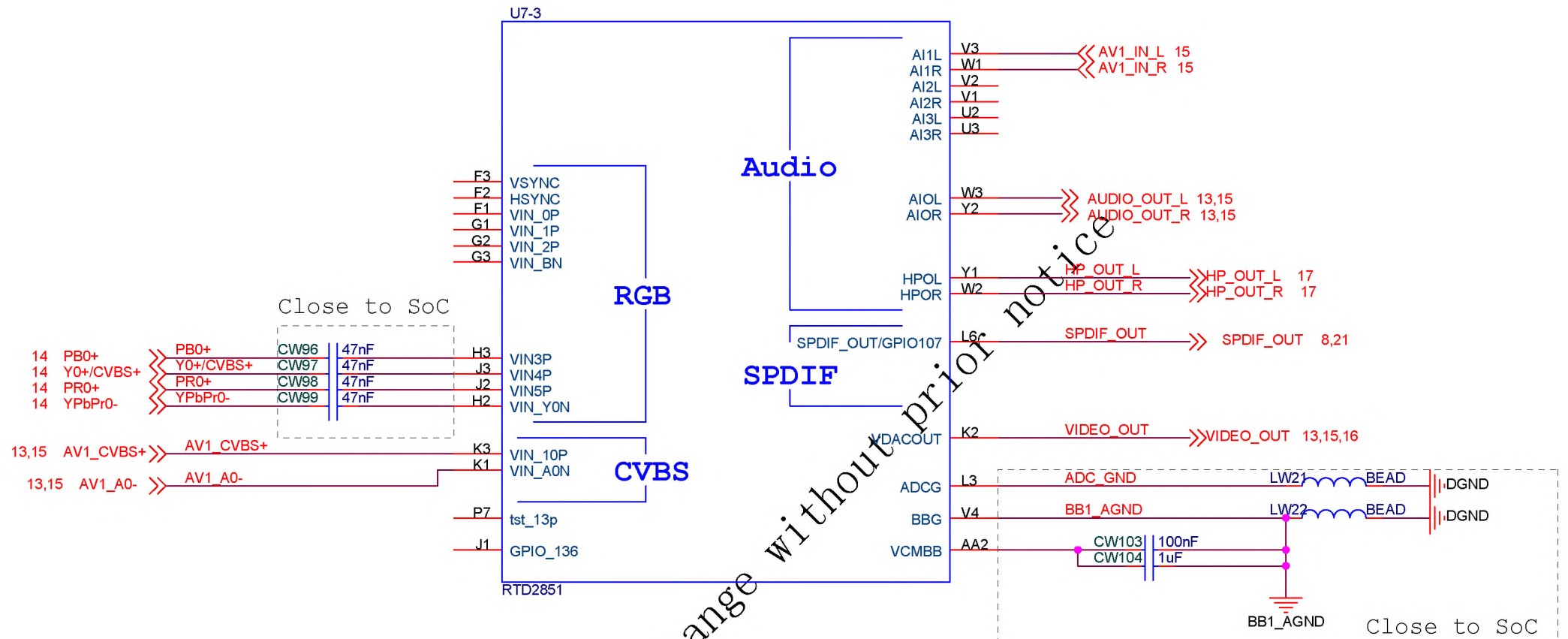
Use Precision Resistor  
 禁 璽 纒 SoC, / GND 暗 shielding.

Subject to change without prior notice





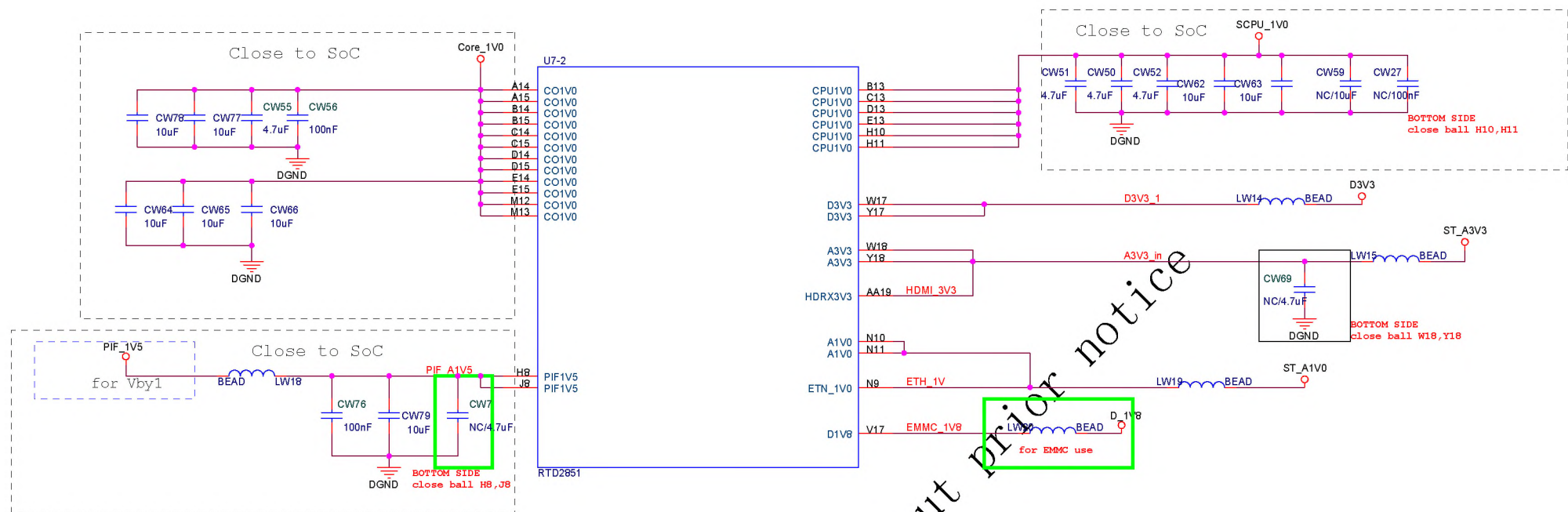
Subject to change without prior notice



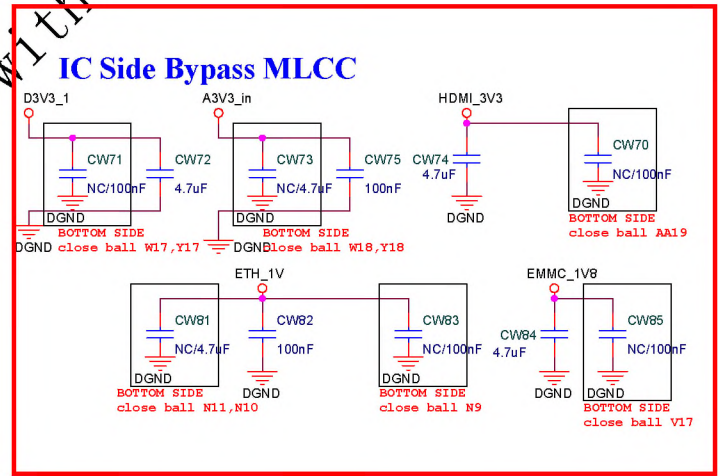
Subject to change without prior notice

Close to SoC

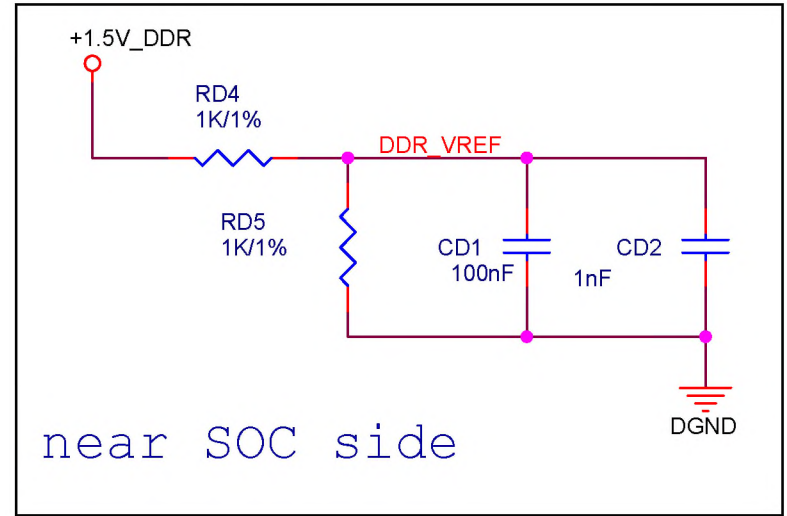
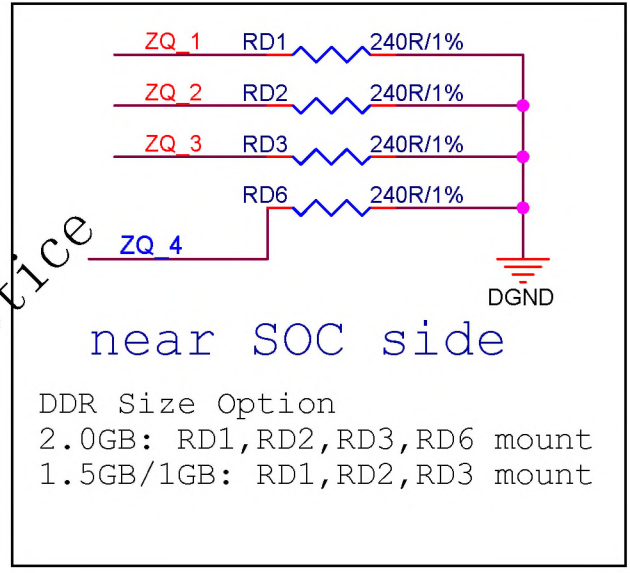
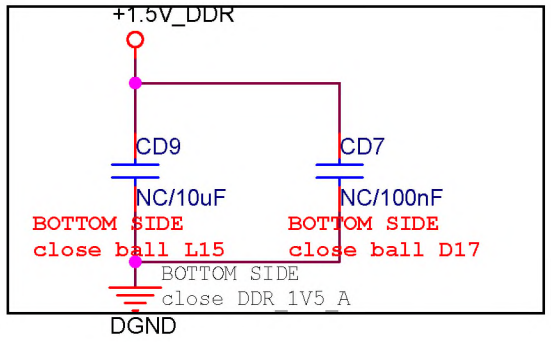
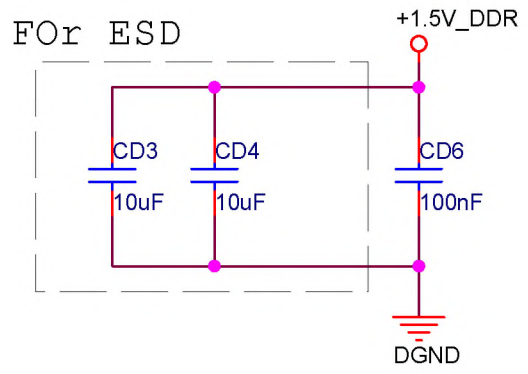
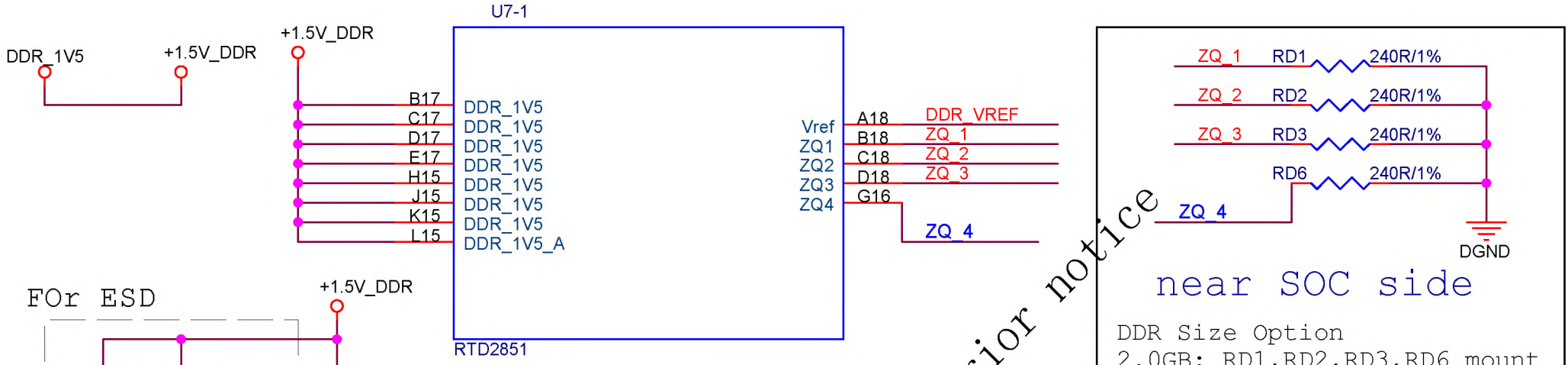
Close to SoC



Subject to change without prior notice

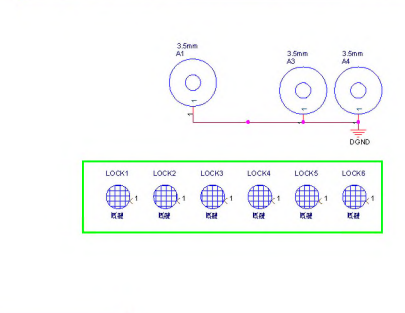
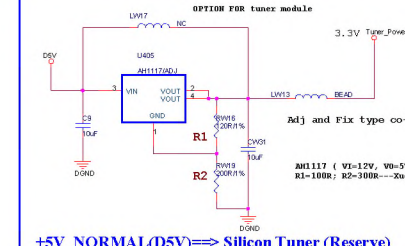
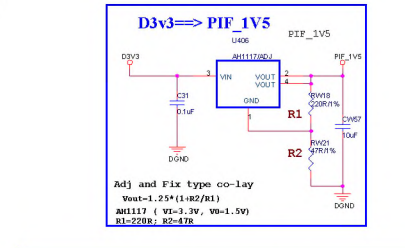
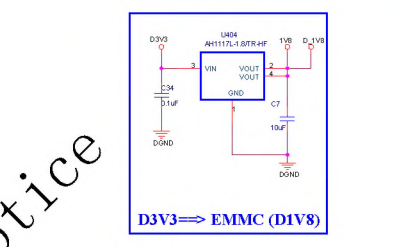
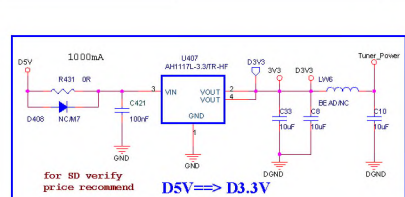
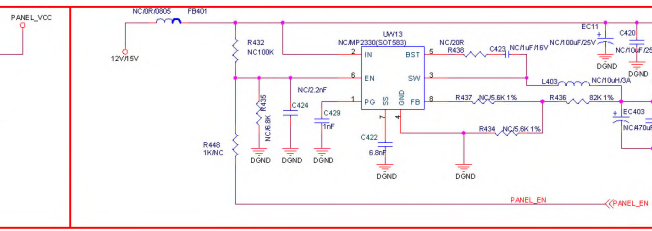
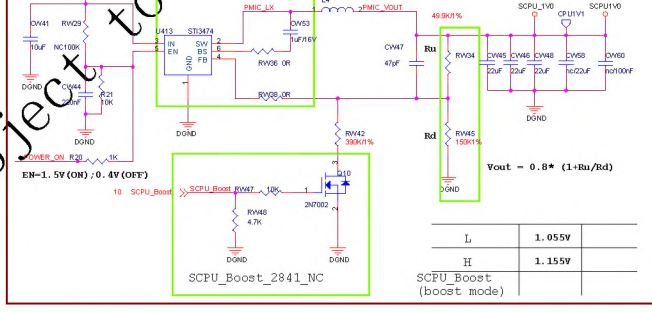
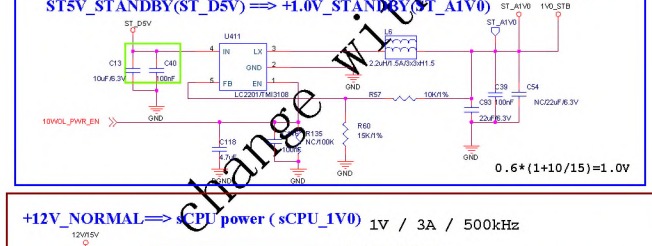
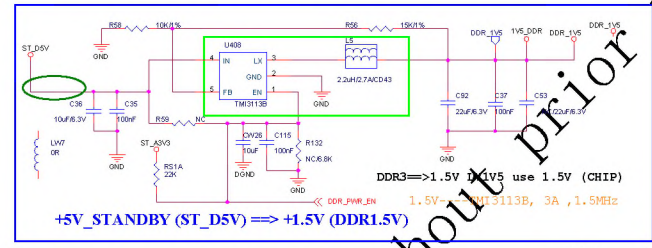
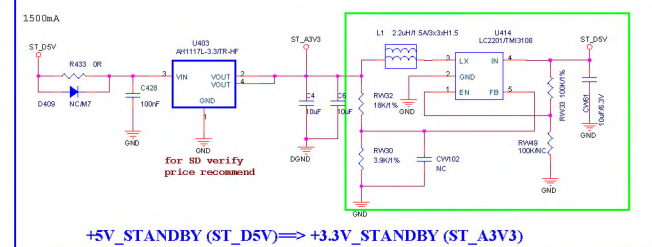
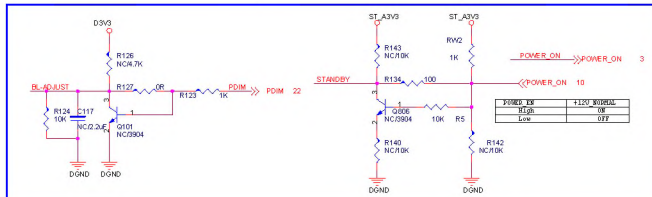
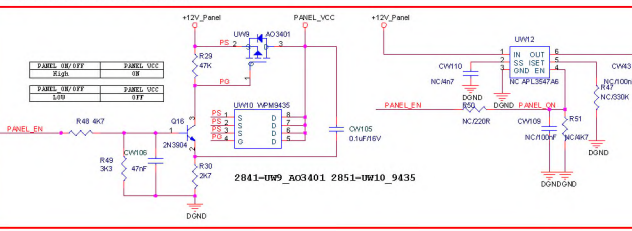
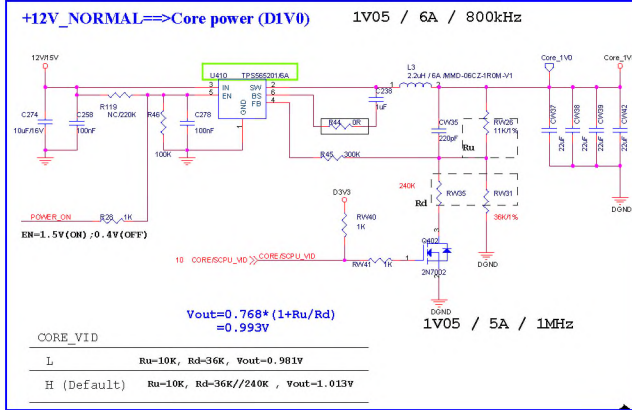
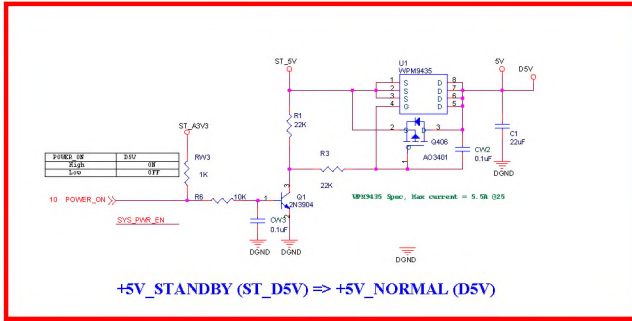
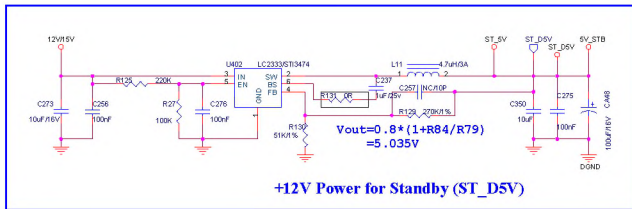
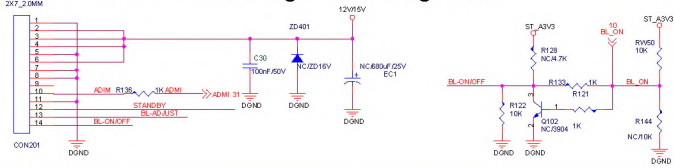


# DRAM Controller



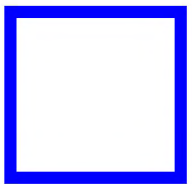
Subject to change without prior notice

**Power socket and Signal switching control**



Subject to change without prior notice

eMMC  
公板装8G

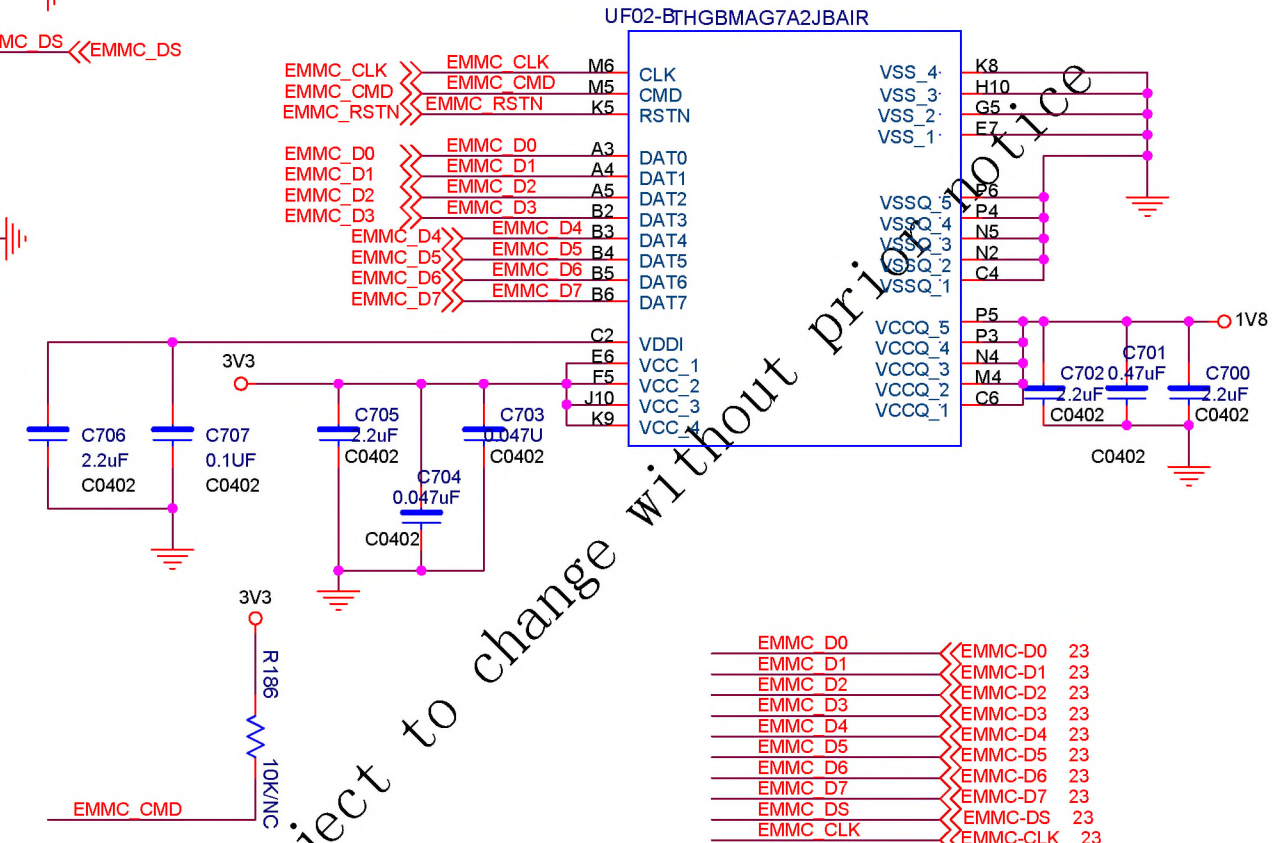


THGBMAG7A2JBAIR\_NC

A1	NC_1
A2	NC_2
A8	NC_3
A9	NC_4
A10	NC_5
A11	NC_6
A12	NC_7
A13	NC_8
A14	NC_9
B1	NC_10
B7	NC_11
B8	NC_12
B9	NC_13
B10	NC_14
B11	NC_15
B12	NC_16
B13	NC_17
B14	NC_18
C1	NC_19
C3	NC_20
C5	NC_21
C7	NC_22
C8	NC_23
C9	NC_24
C10	NC_25
C11	NC_26
C12	NC_27
C13	NC_28
C14	NC_29
D1	NC_30
D2	NC_31
D3	NC_32
D4	NC_33
D12	NC_34
D13	NC_35
D14	NC_36
E1	NC_37
E2	NC_38
E3	NC_39
E12	NC_40
E13	NC_41
E14	NC_42
F1	NC_43
F2	NC_44
F3	NC_45
F12	NC_46
F13	NC_47
F14	NC_48
G1	NC_49
G2	NC_50
G12	NC_51
G13	NC_52
G14	NC_53
H1	NC_54
H2	NC_55
H3	NC_56
H12	NC_57
H13	NC_58
H14	NC_59
J1	NC_60
J2	NC_61
J3	NC_62
J12	NC_63
J13	NC_64
J14	NC_65
K1	NC_66
K2	NC_67
K3	NC_68
K12	NC_69

UF02-A

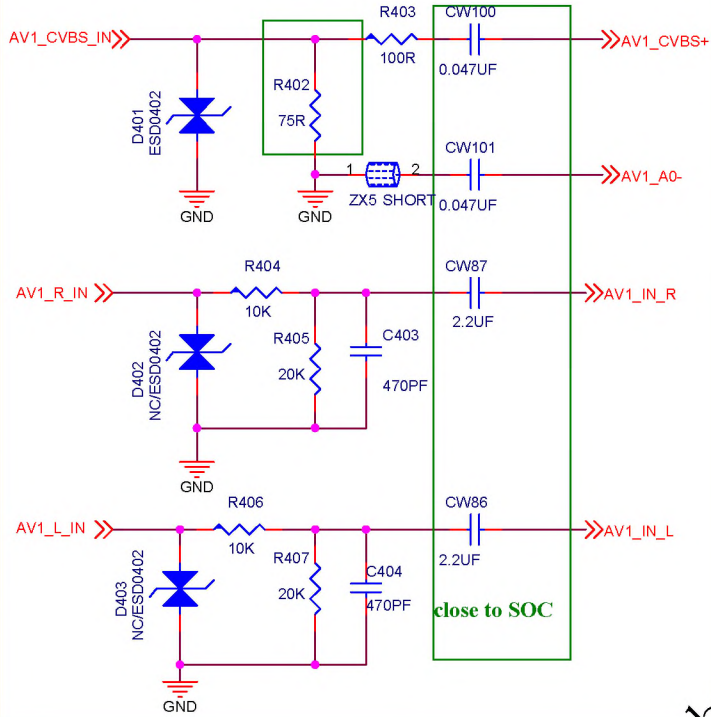
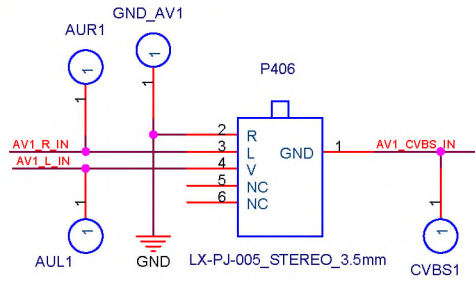
P10	RFU/NC_16
P7	RFU/NC_15
K10	RFU/NC_14
K7	RFU/NC_13
K6	RFU/NC_12
J5	RFU/NC_11
H5	RFU/NC_10
G10	RFU/NC_9
G3	RFU/NC_8
F10	RFU/NC_7
E10	RFU/NC_6
E9	RFU/NC_5
E8	RFU/NC_4
E5	RFU/NC_3
A7	RFU/NC_2
A6	RFU/NC_1
P14	NC_107
P13	NC_106
P12	NC_105
P11	NC_104
P9	NC_103
P8	NC_102
P2	NC_101
P1	NC_100
N14	NC_99
N13	NC_98
N12	NC_97
N11	NC_96
N10	NC_95
N9	NC_94
N8	NC_93
N7	NC_92
N6	NC_91
N3	NC_90
N1	NC_89
M14	NC_88
M13	NC_87
M12	NC_86
M11	NC_85
M10	NC_84
M9	NC_83
M8	NC_82
M7	NC_81
M3	NC_80
M2	NC_79
M1	NC_78
L14	NC_77
L13	NC_76
L12	NC_75
L3	NC_74
L2	NC_73
L1	NC_72
K14	NC_71
K13	NC_70



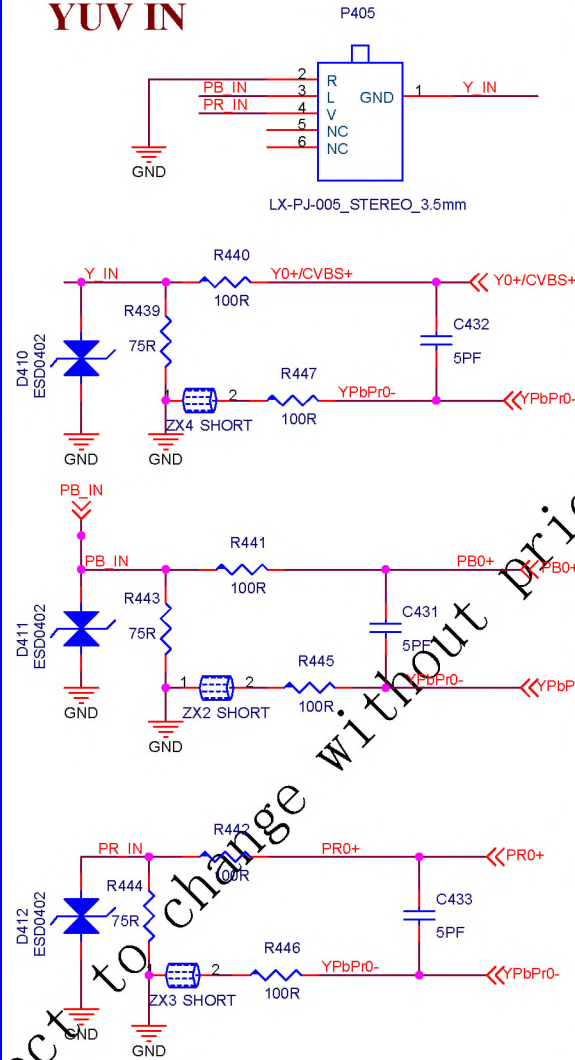
Subject to change without prior notice

EMMC_D0	>>>EMMC-D0	23
EMMC_D1	>>>EMMC-D1	23
EMMC_D2	>>>EMMC-D2	23
EMMC_D3	>>>EMMC-D3	23
EMMC_D4	>>>EMMC-D4	23
EMMC_D5	>>>EMMC-D5	23
EMMC_D6	>>>EMMC-D6	23
EMMC_D7	>>>EMMC-D7	23
EMMC_DS	>>>EMMC-DS	23
EMMC_CLK	>>>EMMC-CLK	23
EMMC_CMD	>>>EMMC-CMD	23
EMMC_RSTN	>>>EMMC-RSTN	23

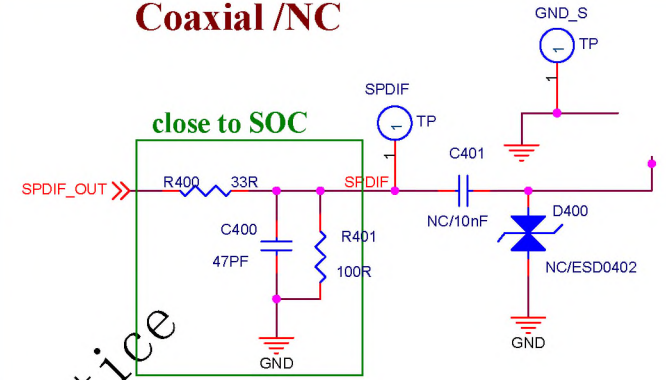
# AV IN



# YUV IN

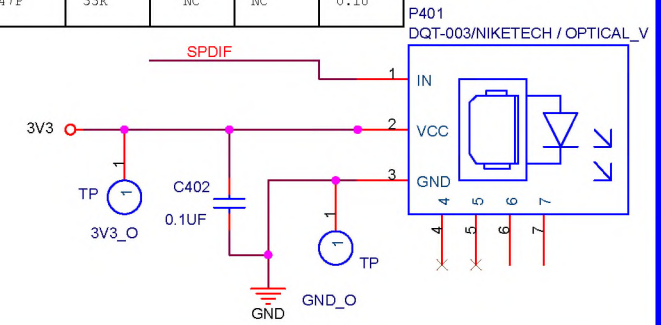


# Coaxial / NC

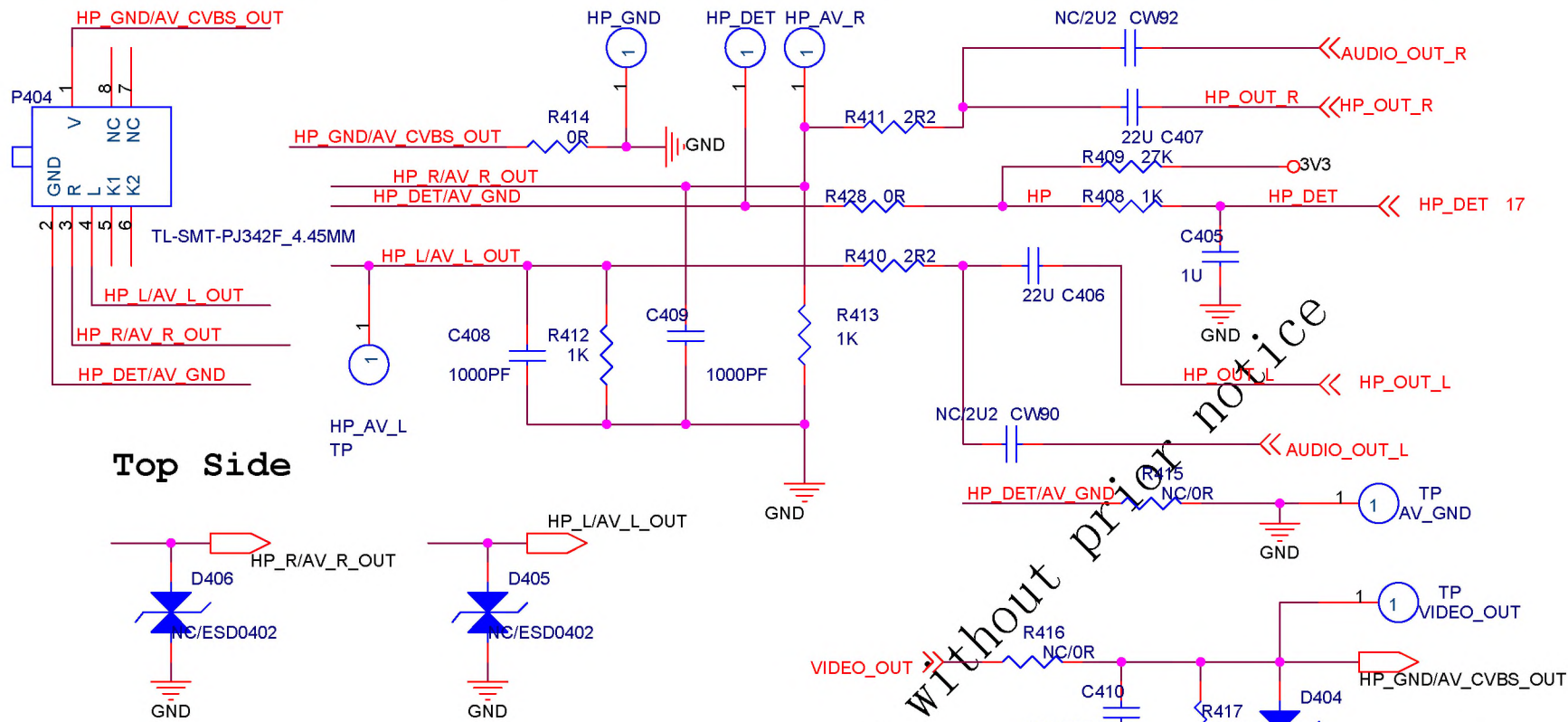


	C400	R400	C401	R401	C402
coaxial	220P	300R	0.1U	100R	NC
optical	47P	33R	NC	NC	0.1U

# Optical

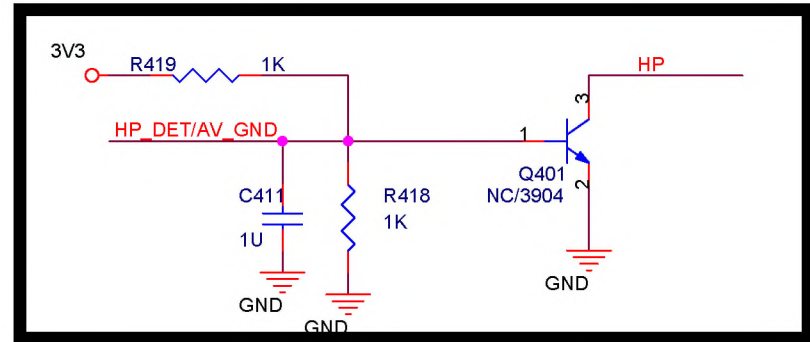


Subject to change without prior notice

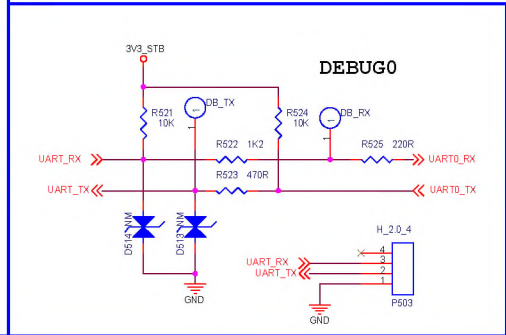
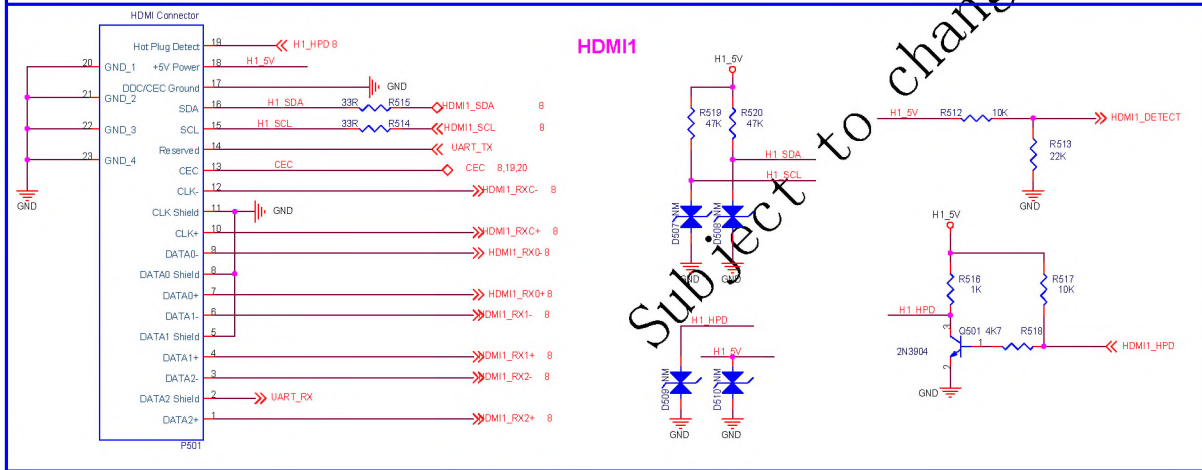
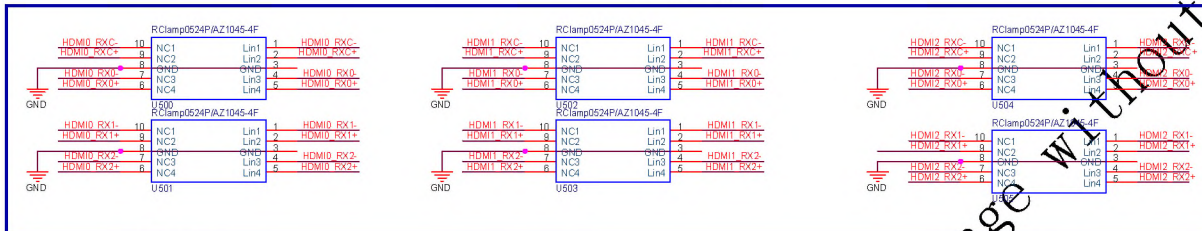
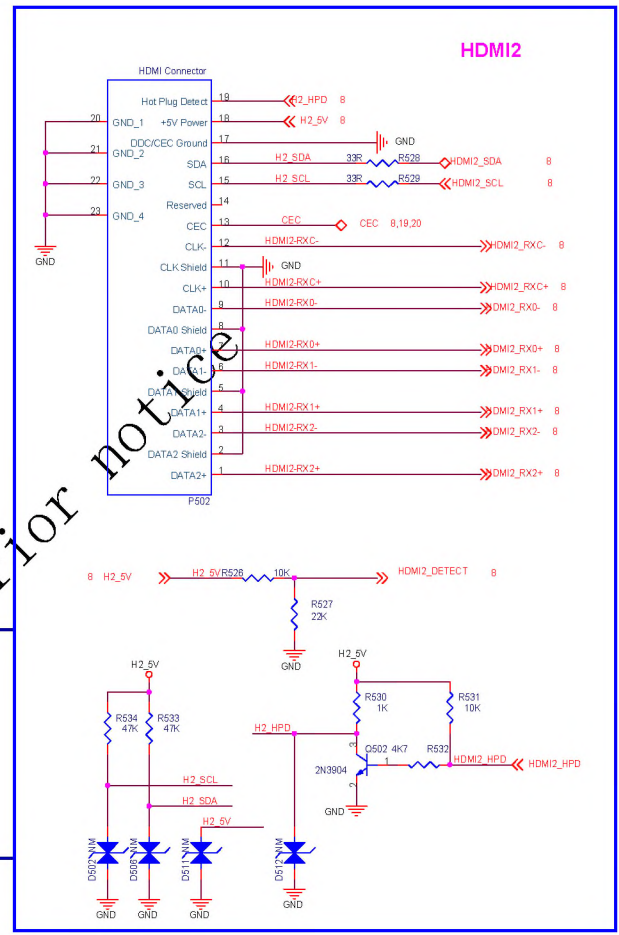
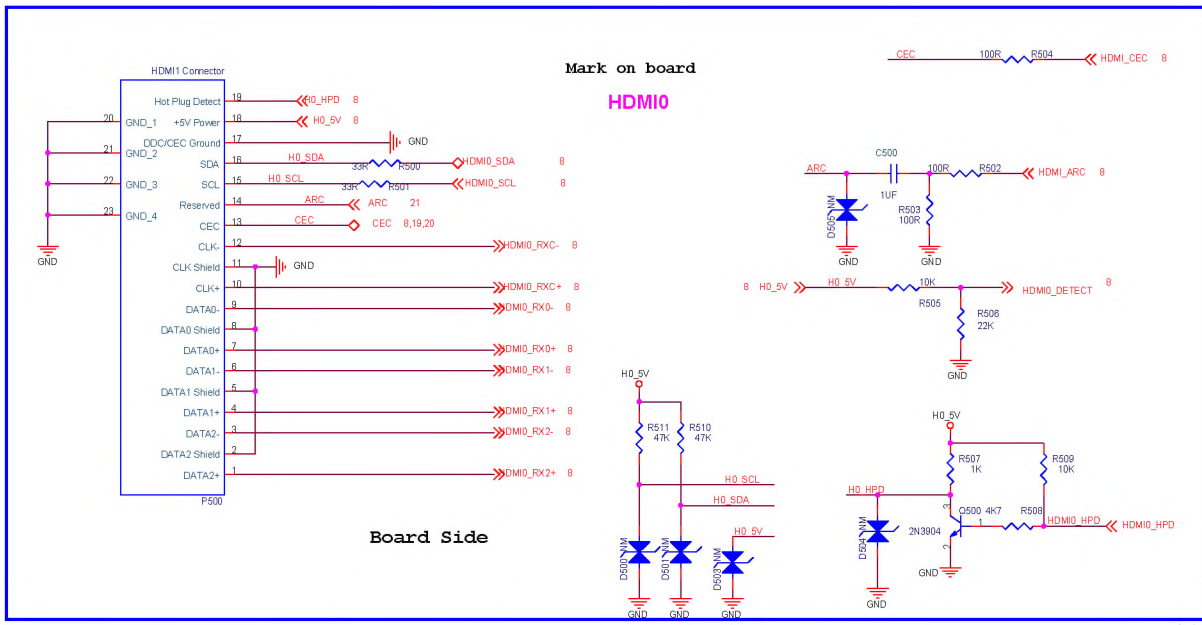


Top Side

	Headhone ●	AV Out ●	Line Out ●
P1	HP_GND	VIDEO_OUT	NC
P2	HP_DET	AV_GND	AV_GND
P3	HP_R	AV_R_OUT	LINE_OUT_R
P4	HP_L	AV_L_OUT	LINE_OUT_L
R414	0R	NC	0R
R415	NC	0R	0R
R428	0R	NC	NC
R412, R413	1K	10K	10K
C408, C409			



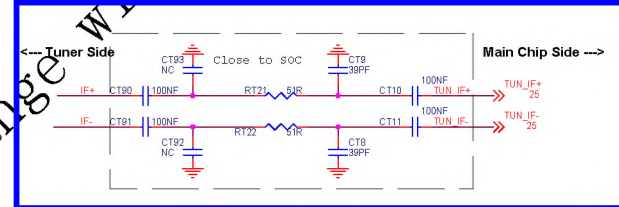
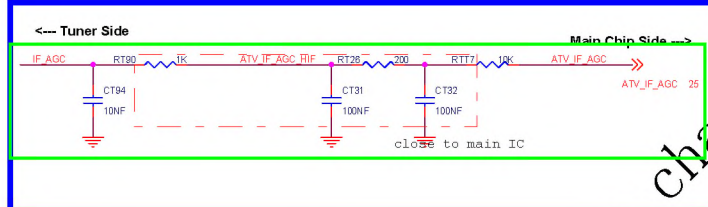
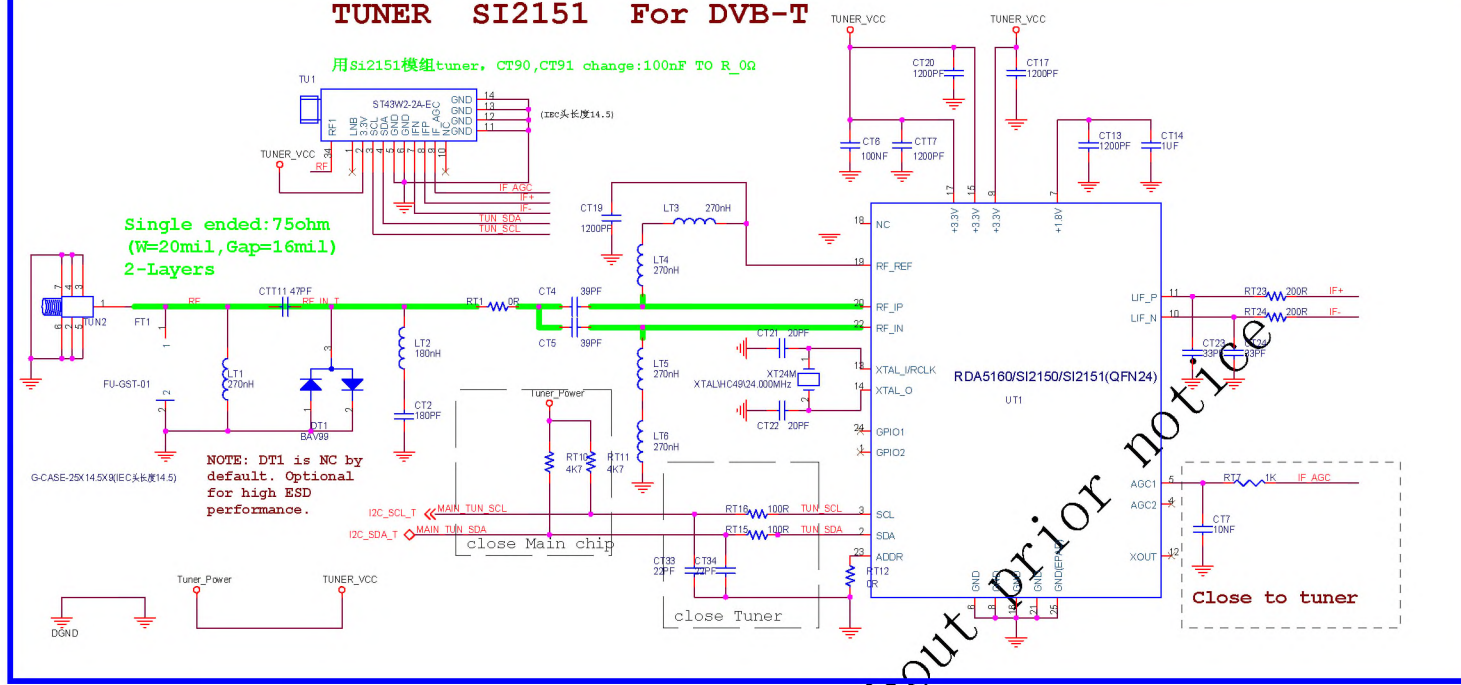




Subject to change without prior notice

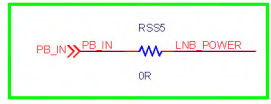
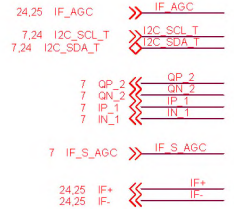
# TUNER SI2151 For DVB-T

用Si2151模组tuner, CT90,CT91 change:100nF TO R\_0R

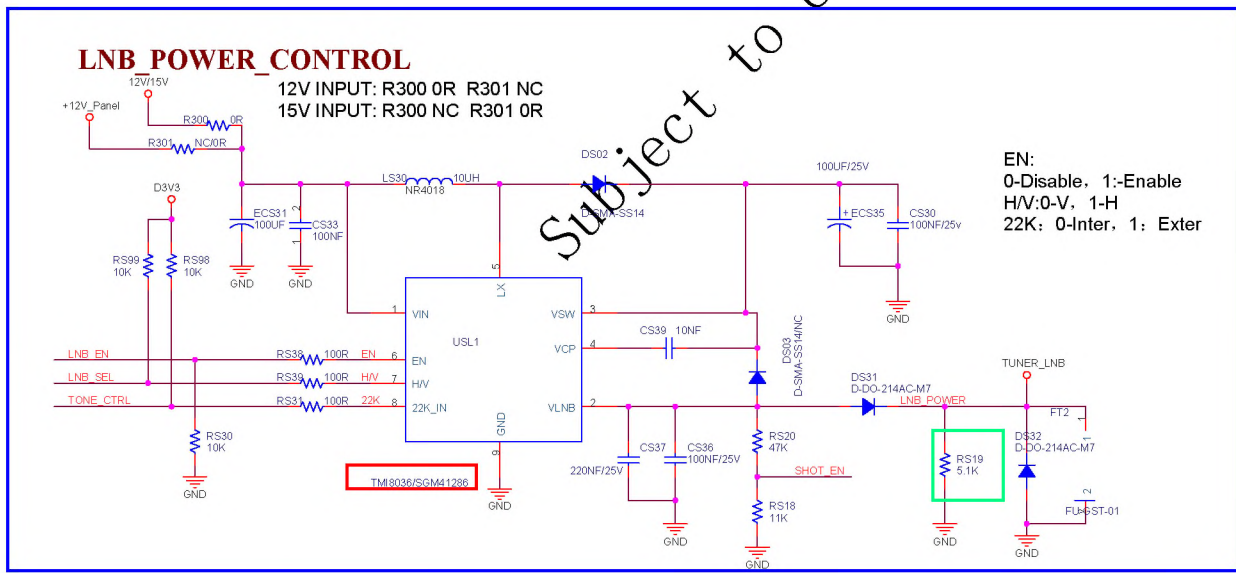
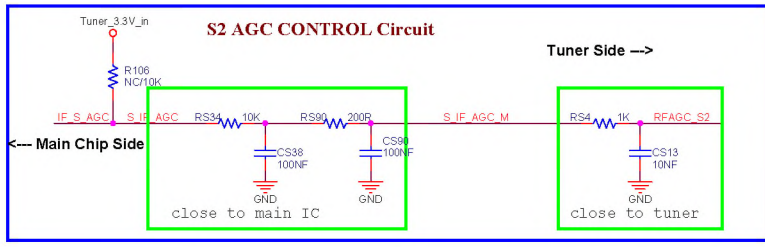
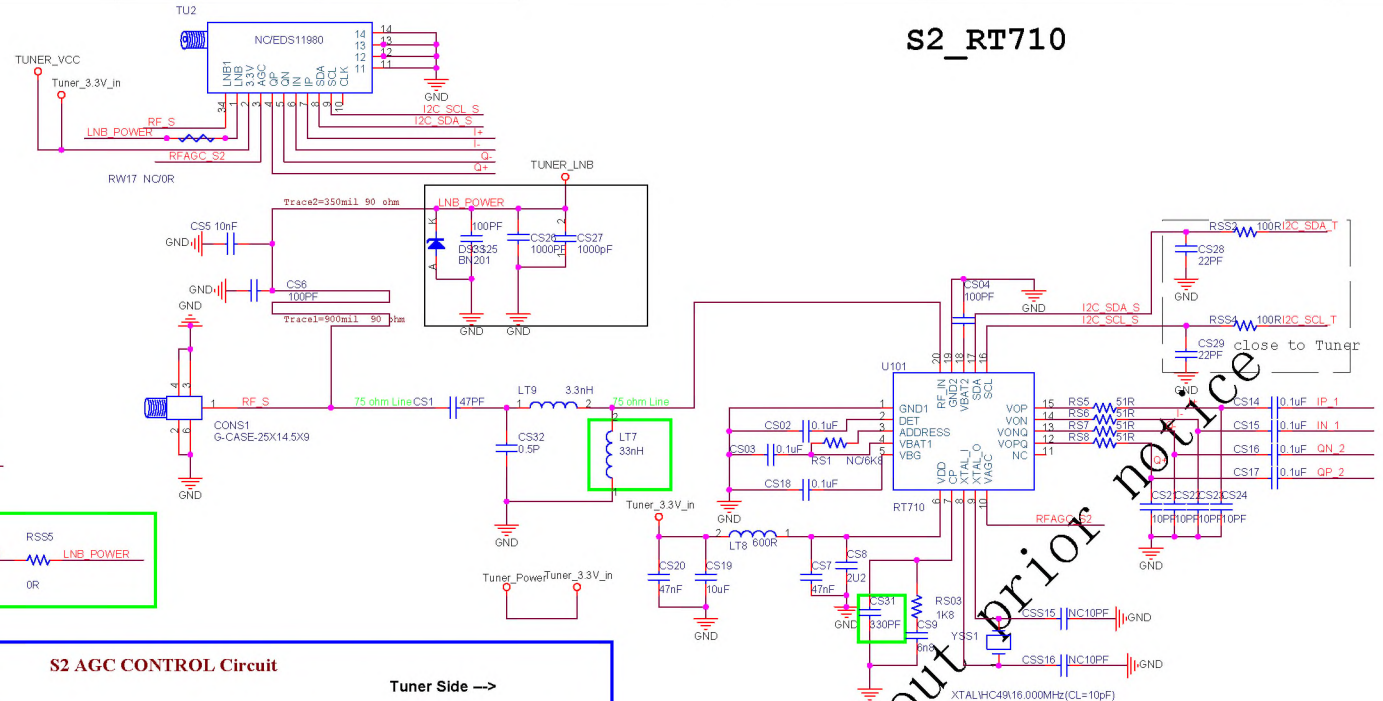


Subject to change without prior notice

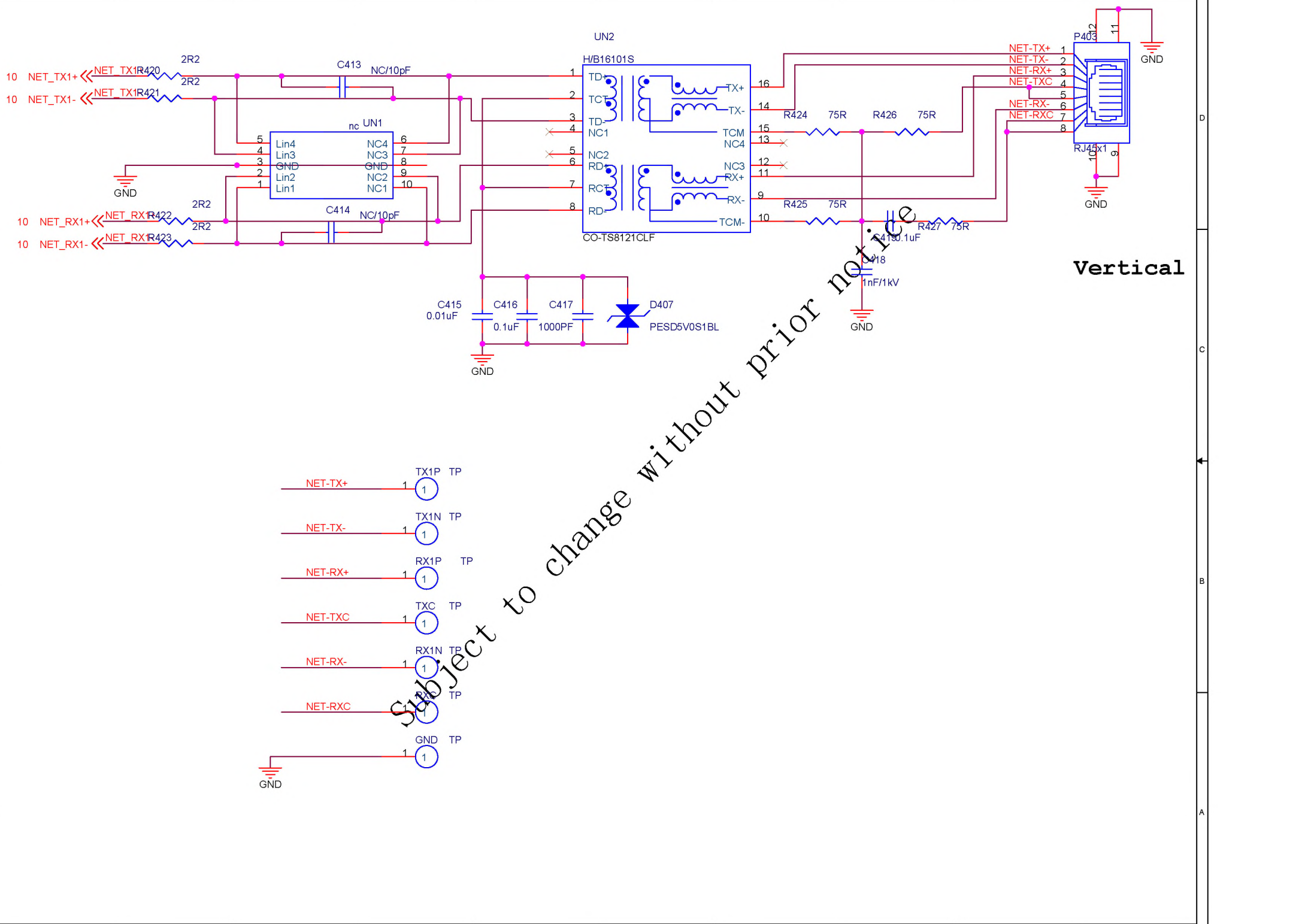
### Main Chip <--



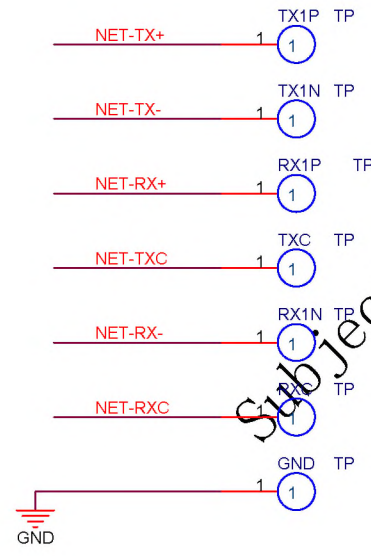
### S2\_RT710



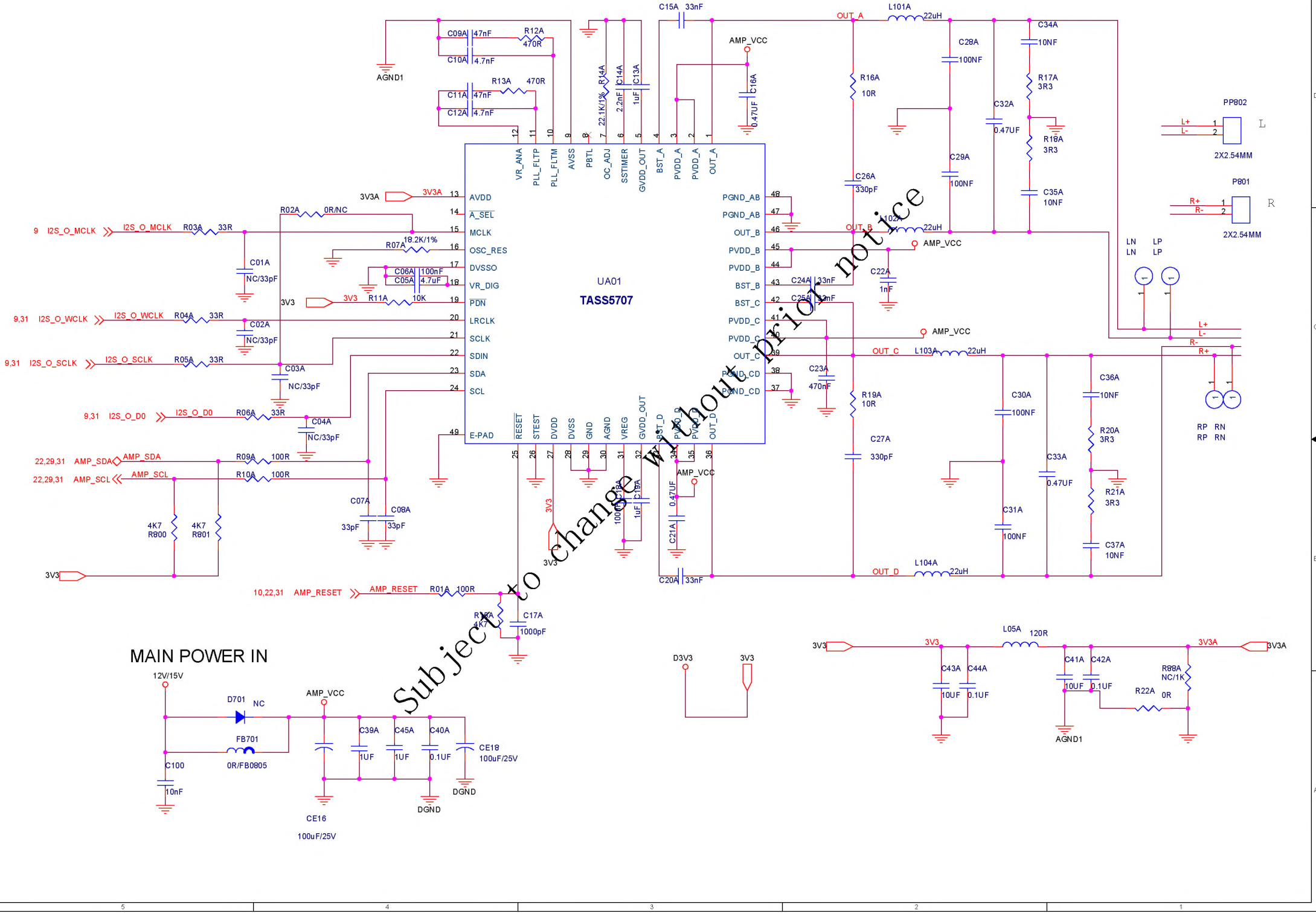
Subject to change without prior notice



Vertical

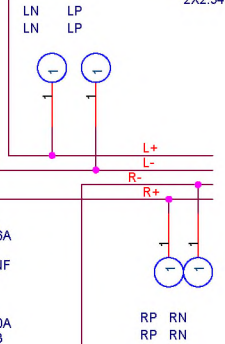
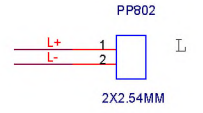
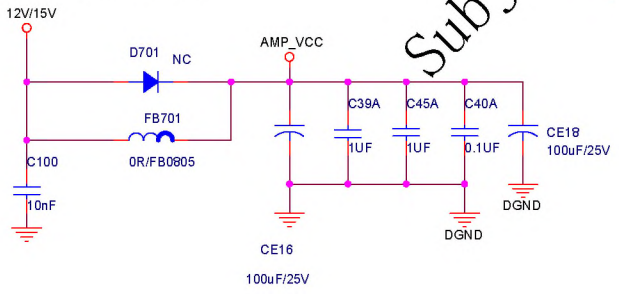


Subject to change without prior notice



Subject to change without prior notice

**MAIN POWER IN**



**PCMCIA**

9,24	TPI_DATA3	<>	TPI_DATA3
9,24	TPI_DATA4	<>	TPI_DATA4
9,24	TPI_DATA5	<>	TPI_DATA5
9,24	TPI_DATA6	<>	TPI_DATA6
9,24	TPI_DATA7	<>	TPI_DATA7

9	TPO_SYNC	<>	TPO_SYNC
9	TPO_DATA0	<>	TPO_DATA0
9	TPO_DATA1	<>	TPO_DATA1
9	TPO_DATA2	<>	TPO_DATA2
9	TPO_DATA3	<>	TPO_DATA3
9	TPO_DATA4	<>	TPO_DATA4
9	TPO_DATA5	<>	TPO_DATA5
9	TPO_DATA6	<>	TPO_DATA6
9	TPO_DATA7	<>	TPO_DATA7

9,24	TPI_CLK_CON	<>	TPI_CLK_CON
------	-------------	----	-------------

9	PC_RST	<>	PC_RST
9	PC_WAIT#	<>	PC_WAIT#
9	PC_REG#	<>	PC_REG#
9,24	TPI_VALID	<>	TPI_VALID
9,24	TPI_SYNC	<>	TPI_SYNC

9,24	TPI_DATA0	<>	TPI_DATA0
9,24	TPI_DATA1	<>	TPI_DATA1
9,24	TPI_DATA2	<>	TPI_DATA2
9,24	TPI_DATA3	<>	TPI_DATA3
9,24	PC_CD2#	<>	PC_CD2#

30	TPO_DATA0	<>	TPO_DATA0
30	TPO_DATA1	<>	TPO_DATA1
30	TPO_DATA2	<>	TPO_DATA2
30	TPO_DATA3	<>	TPO_DATA3
30	TPO_DATA4	<>	TPO_DATA4
30	TPO_DATA5	<>	TPO_DATA5
30	TPO_DATA6	<>	TPO_DATA6
30	TPO_DATA7	<>	TPO_DATA7
30	TPO_VALID	<>	TPO_VALID
30	TPO_SYNC	<>	TPO_SYNC

30	PC_DATA0	<>	PC_DATA0
30	PC_DATA1	<>	PC_DATA1
30	PC_DATA2	<>	PC_DATA2
30	PC_DATA3	<>	PC_DATA3
30	PC_DATA4	<>	PC_DATA4
30	PC_DATA5	<>	PC_DATA5
30	PC_DATA6	<>	PC_DATA6
30	PC_DATA7	<>	PC_DATA7

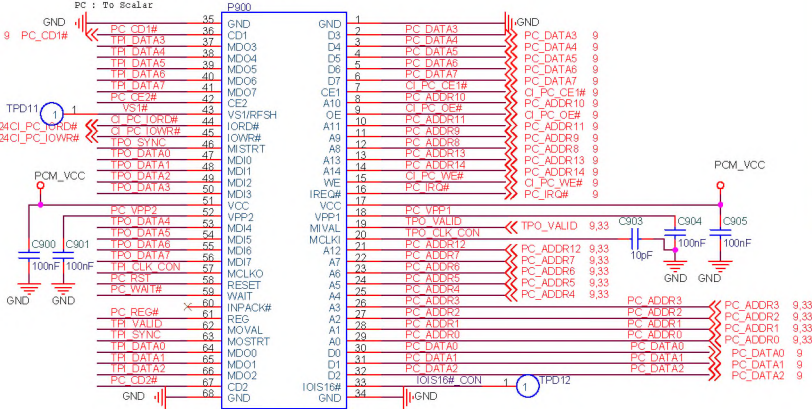
30	PC_RST	<>	PC_RST
30	PC_WAIT#	<>	PC_WAIT#
30	PC_REG#	<>	PC_REG#
30	PC_CD#	<>	PC_CD#
30	PC_CD1#	<>	PC_CD1#
30	PC_CD2#	<>	PC_CD2#

30,33	PC_ADDR0	<>	PC_ADDR0
30,33	PC_ADDR1	<>	PC_ADDR1
30,33	PC_ADDR2	<>	PC_ADDR2
30,33	PC_ADDR3	<>	PC_ADDR3

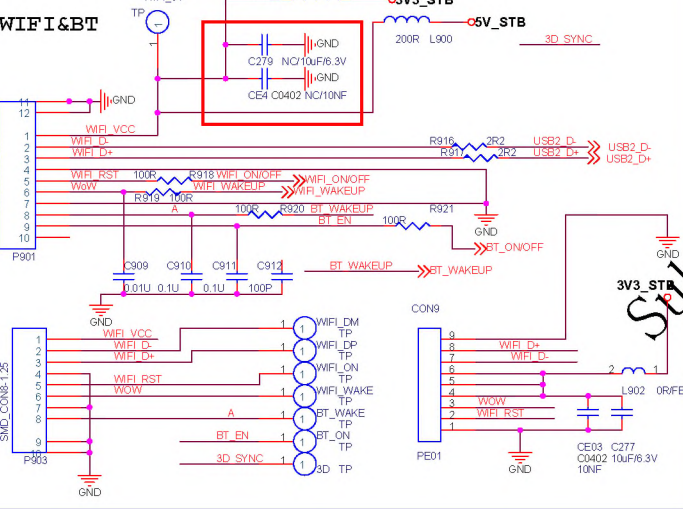
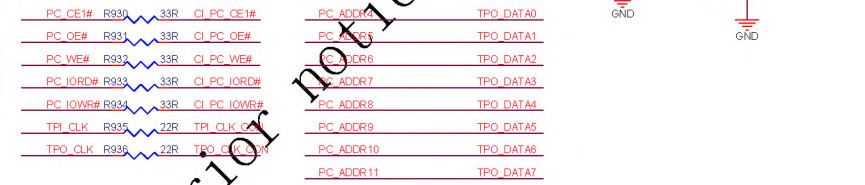
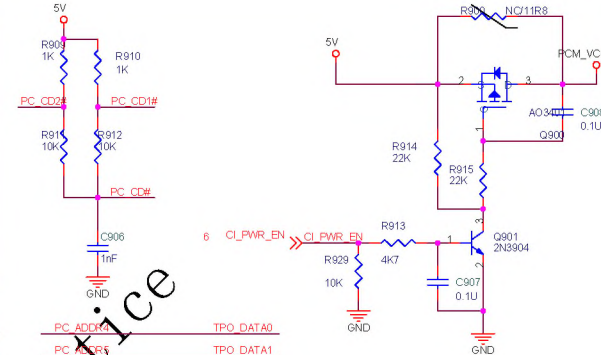
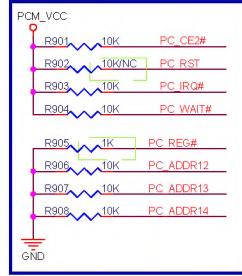
Mark on board

PC CARD

TPO : From Scalar (From demand for Europe)  
TPI : To Scalar  
PC : To Scalar

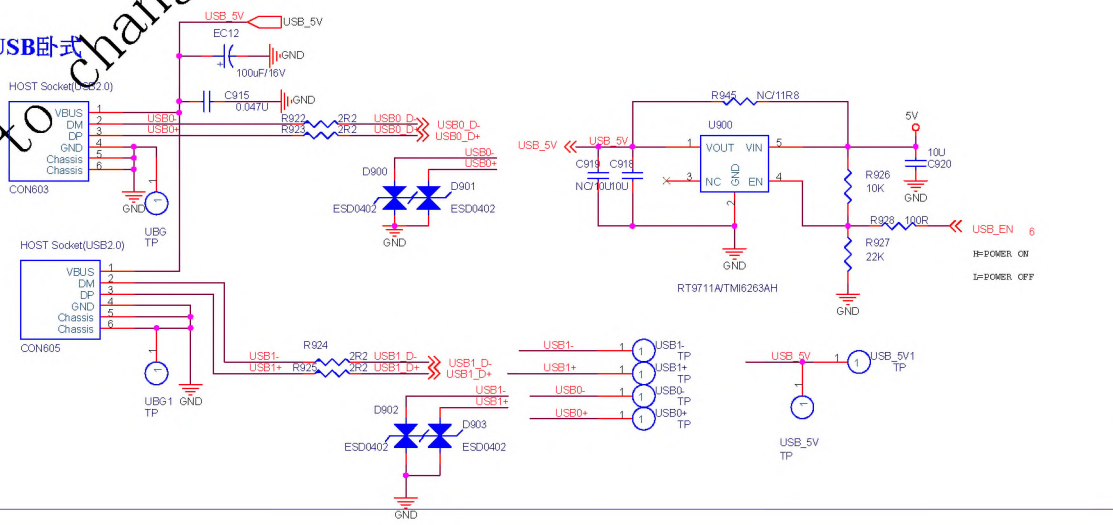


SYNC/DATA0/CLK ground



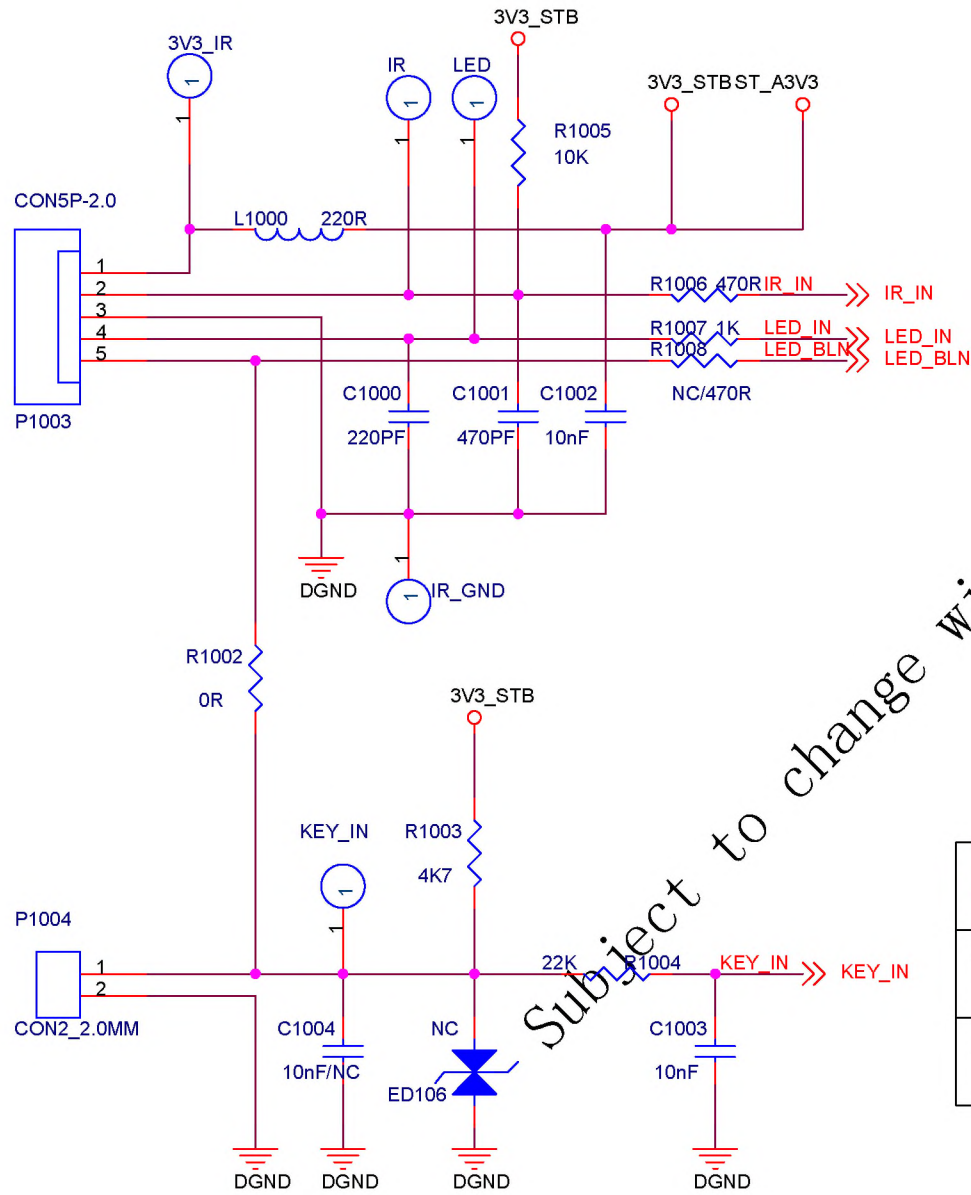
Subject to change without prior notice

**单层USB卧式**



From Main Chip

10 KEYPAD\_1 ←← KEYPAD\_1



Subject to change without prior notice

Note:	P1003	P1004	R1002	R1008	LED_BLN
Key&IR 2IN1	ON	NC	ON	NC	N.A
Separate	ON	ON	NC	NC	N.A
	ON	ON	NC	ON	Separate